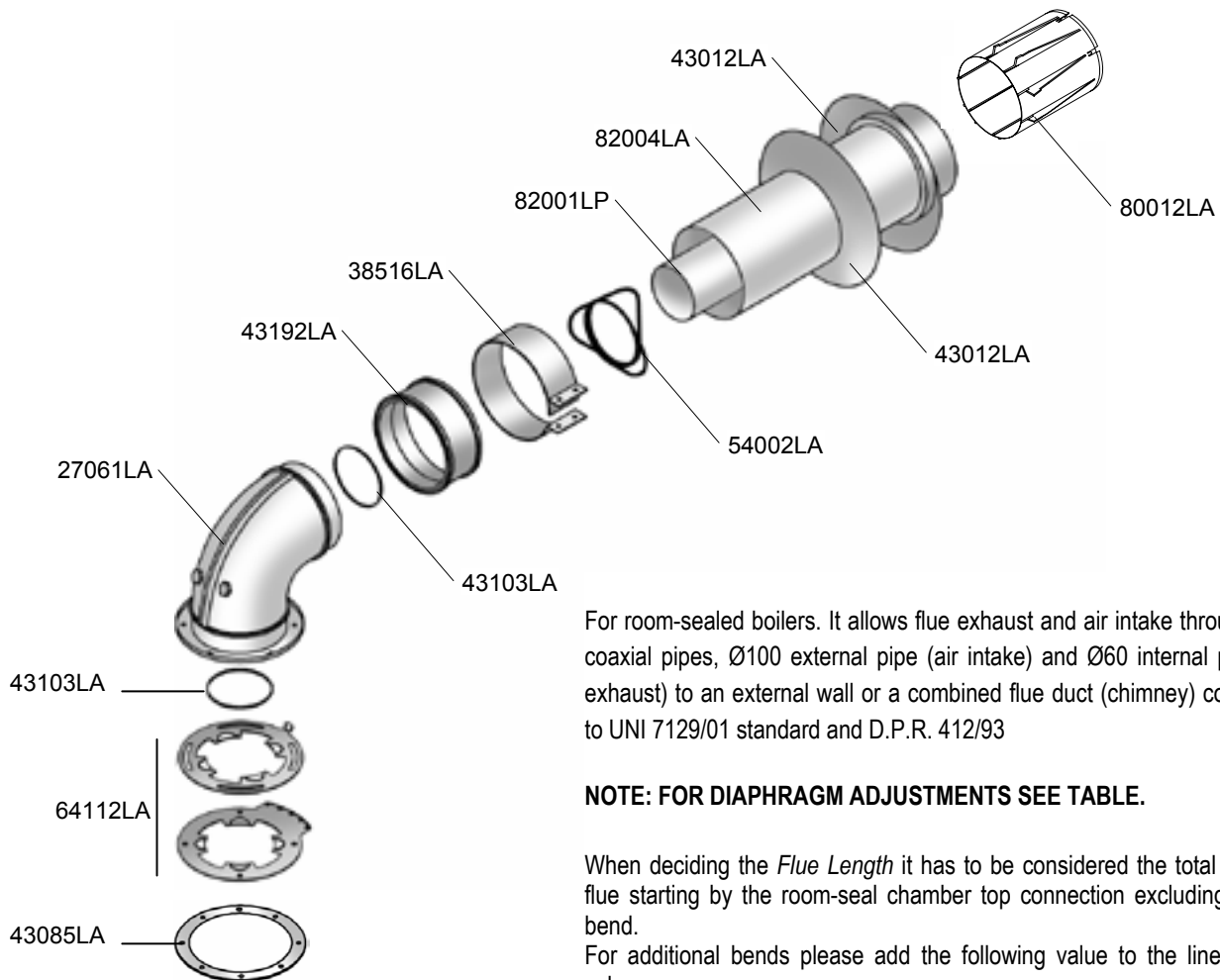


Rev.	Description:	Date
01	CODE COMPONENTS UPDATE	10.10.2003
02	RBS 24 model	11.10.2004



For room-sealed boilers. It allows flue exhaust and air intake through the 2 coaxial pipes, Ø100 external pipe (air intake) and Ø60 internal pipe (flue exhaust) to an external wall or a combined flue duct (chimney) conforming to UNI 7129/01 standard and D.P.R. 412/93

NOTE: FOR DIAPHRAGM ADJUSTMENTS SEE TABLE.

When deciding the *Flue Length* it has to be considered the total length of flue starting by the room-seal chamber top connection excluding the first bend.

For additional bends please add the following value to the linear length value:

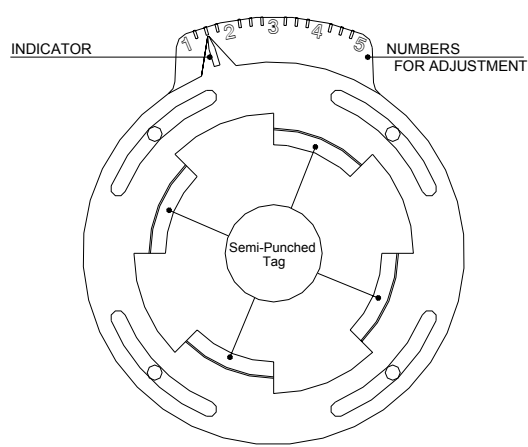
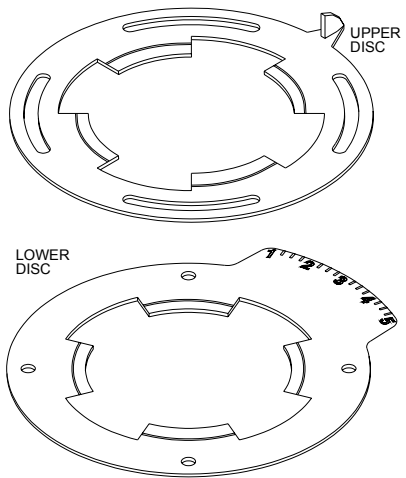
flue bend Ø100/60 at 90° = 0.8 m.

flue bend Ø100/60 at 45° = 0.5 m.

Therefore to calculate the total length of flue it is necessary to add the linear length of flue pipes and the value of additional bends used in the installation.

	82004LA	PIPE Ø100x855 EXTERNAL-WHITE		1	
	82001LP	PIPE Ø60x920 INTERNAL ALUMINIUM		1	
	80012LA	FLUE TERMINALVALOX Ø65.5 KIT-A		1	
	54002LA	PIPES SEPARATOR SPRING		1	
	27061LA	FLUE BEND Ø100/60 W/FLANGE+TEST POINT		1	
	43103LA	INTERNAL Ø60 SEALING RING – COAXIAL BEND		2	
	43012LA	EXTERNAL RUBBER WALL SEAL Ø100		2	
	43192LA	RUBBER COLLAR Ø100/100 PIPE-BEND		1	
	38516LA	FIXING CLAMP Ø100		1	
	64112LA	DIAPHRAGMS KIT		1	
	43085LA	NEOPRENE SEALING GASKET D.128-98		1	
	89091NA	SELF-TAPPING SCREW		2	
	89090NA	SELF-TAPPING SCREW		4	
Pos.	Code	Description		u.m.	qt.
		Object	Department: Tecnico	Data: 10.10.2003	Scale: ---
		kit A	Designed by: --	Code n.: 82012LP	met.
		description:	Controlled by: --		L.P.G.
		HORIZONTAL-COAXIAL FLUE KIT SYSTEM	Approved by: --	Sheet n.: C0001.0B3	N.
		With intake / exhaust pipes Ø100/60			---

MAXIMUM FLUE LENGTH (linear length)	Models: RBS 20 E	Models RBS 24	Models: RS 20 E	Models: RSF 20 E RMAS 20 E	Models: RS 24 E RSF 24 E RMAS 24 E RBA CS 24 E RBA CS 100 E	Models: RS 21 E/3S RSF 21 E/3S RMAS 21 E/3S	Models: SF 14
from 0.5 to 1 m.							
from 1 to 2 m.							
from 2 to 3 m.					No Diaphragm		
from 0.35 to 1 m.							
from 1 to 3.5 m.							
MAXIMUM FLUE LENGTH	3,5 m.	3 m.	3 m.	3 m.	3 m.	3 m.	3 m.



NOTE: SEMI-PUNCHED TAGS ON BOTH UPPER AND LOWER DISC

