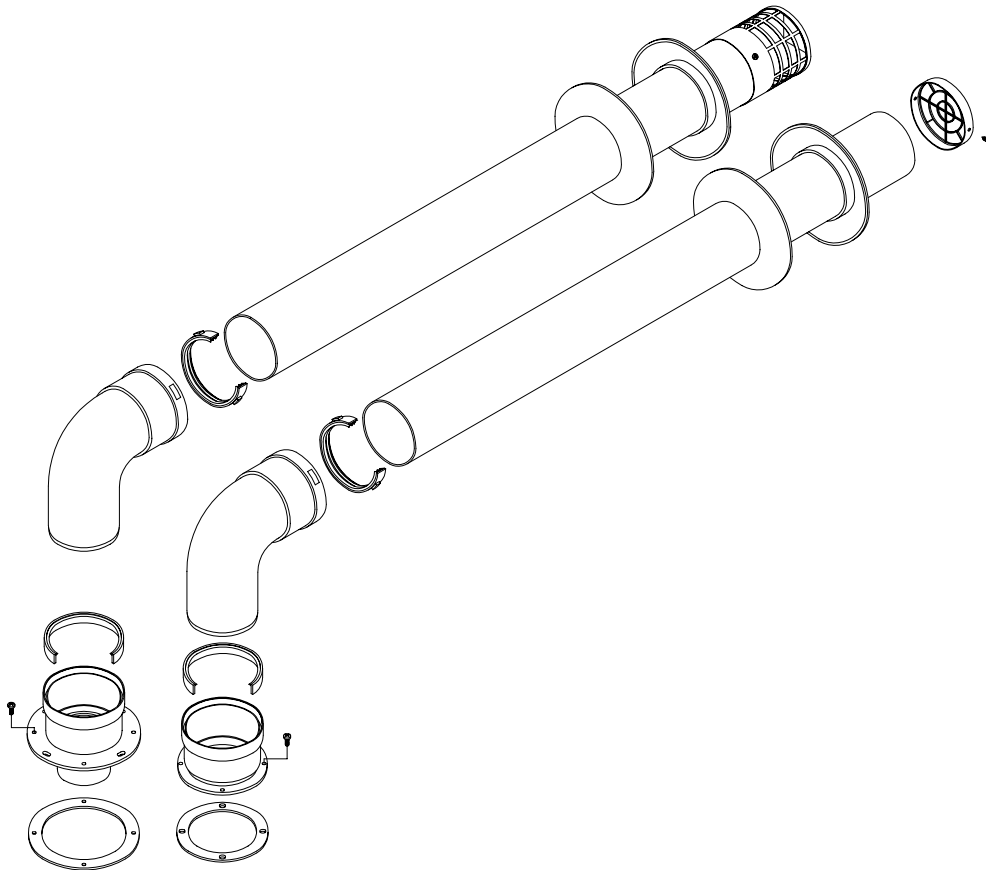


Rev.	Description	Date



For condensing boilers only. It allows the flue exhaust into a flue duct (chimney) conforming to UNI 7129/01 standard and D.P.R. 412/93 or to an external wall conforming to local current norms (flue exhaust pipe Ø80) and the air intake directly from an external wall (air intake pipe Ø80). It is possible to use this flue kit system with special combined balanced flue ducts conforming to current UNI standard.

When deciding the Flue Length it has to be considered the total length of flue starting by the room-seal chamber top connection excluding the first bend.

For additional bends please add the following value to the linear length value:

flue bend Ø80 at 90° = 1.5 m.

flue bend Ø80 at 45° = 1.2 m.

flue bend Ø60 at 90° = 1.8 m.

flue bend Ø60 at 45° = 1.5 m.

Therefore to calculate the total length of flue it is necessary to add the linear length of flue pipes and the value of additional bends used in the installation.

N.B.: For the double pipes flue kit system , the maximum length of the exhaust pipe must not exceed 2/3 of the total permitted length.

**MAXIMUM FLUE LENGTH: Ø60/60 mm. EXTENSIONS = 30 m.
 Ø80/80 mm. EXTENSIONS = 50 m.**

Pos.	Code	Description	U.M.	QT.y
		Object:	Date: 15.07.2002	
		kit H	Scale: --	
		Description:	Department: Tecnico	
		Horizontal double pipes flue kit system with intake/exhaust pipes ø80/80 – Ø60/60	Designed by: --	
			Controlled by: --	
			Approved by: --	
			Code no.: 82086LA	
			Scheet no: C0021.0B1	No. ---
<small>ALL DESCRIPTIONS AND ILLUSTRATIONS CONTAINED IN THIS LEAFLET HAVE BEEN CAREFULLY PREPARED BUT WE RESERVE THE RIGHT TO MAKE CHANGES AND IMPROVEMENTS IN OUR PRODUCTS WHICH MAY AFFECT THE ACCURACY OF THE INFORMATION CONTAINED IN THIS LEAFLET. E - OE ALL RIGHTS RESERVED. NO PART OF THIS DOCUMENT MAY BE REPRODUCED, SAVED IN STORAGE SYSTEMS OR TRANSMITTED IN ANY FORM OR BY ANY MEANS, WHETHER ELECTRONIC, MECHANICAL, PHOTOCOPYING, RECORDING OR OTHERS, WITHOUT THE MANUFACTURER'S PRIOR AUTHORISATION IN WRITING</small>				