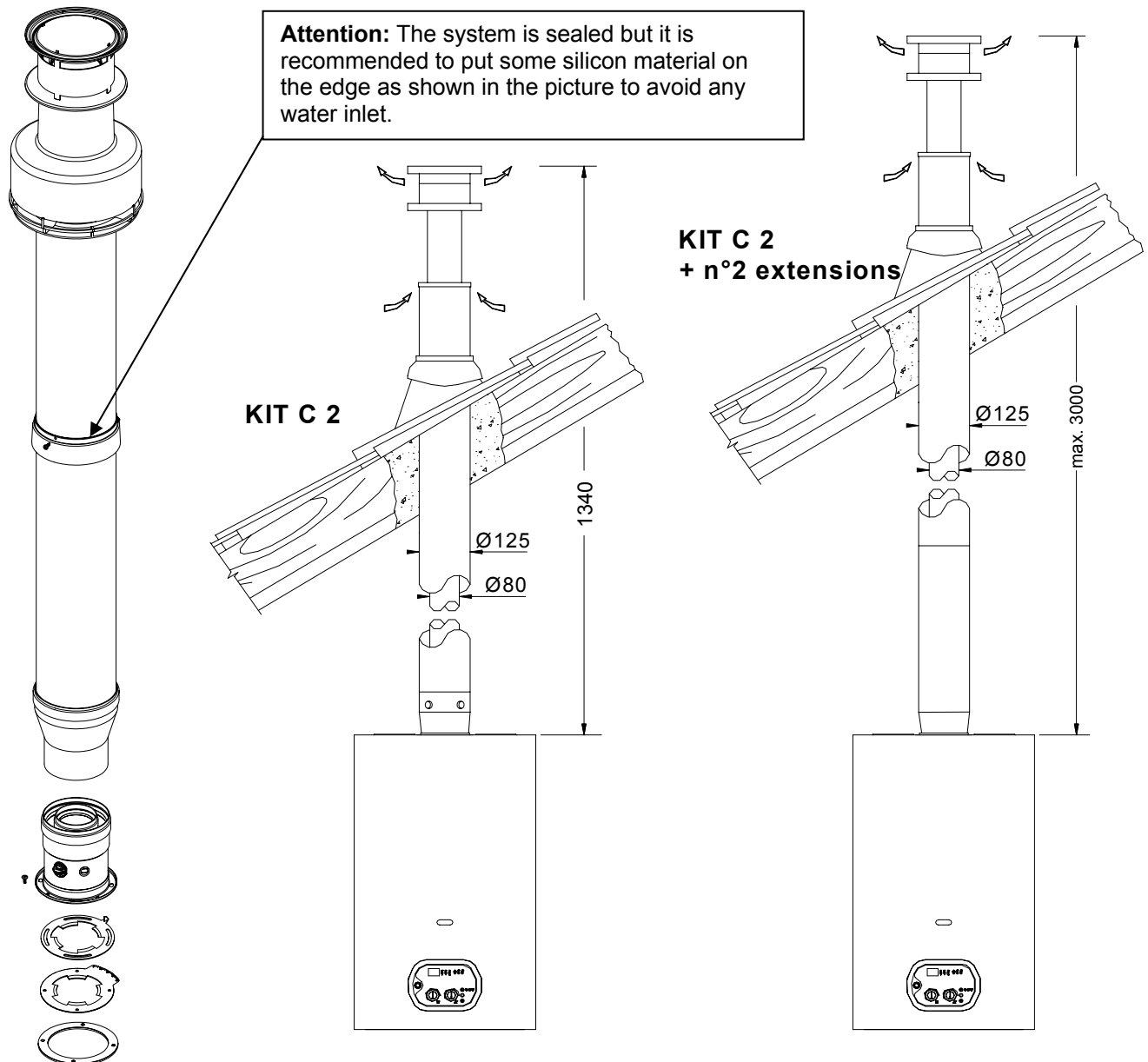


Rev.	Description:	Date
------	--------------	------



For room-sealed boilers. It allows flue exhaust and air intake through the 2 coaxial pipes, Ø125 external pipe (air intake) and Ø80 internal pipe (flue exhaust)..

NOTE: FOR DIAPHRAGM ADJUSTMENTS SEE TABLE.

When deciding the *Flue Length* it has to be considered the total length of flue starting by the room-seal chamber top connection.

For additional bends please add the following value to the linear length value:

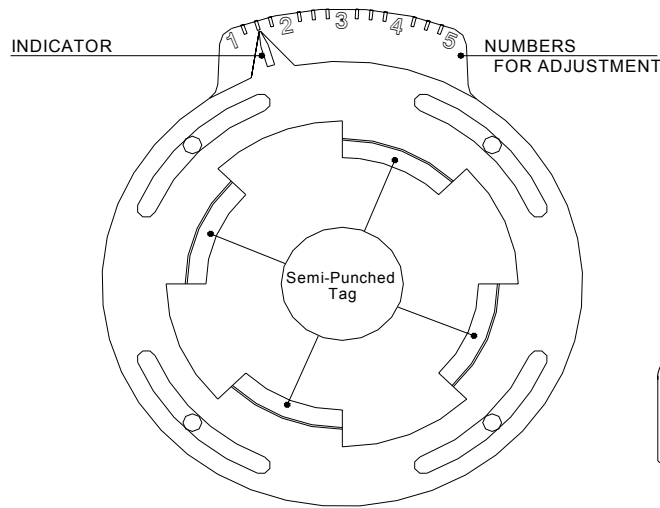
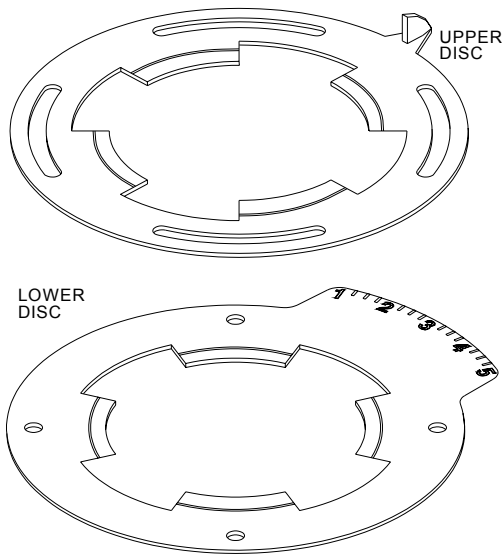
flue bend Ø100/60 at 90° = 0.8 m.

flue bend Ø100/60 at 45° = 0.5 m.

Therefore to calculate the total length of flue it is necessary to add the linear length of flue pipes and the value of additional bends used in the installation.

Pos.	Code	Description	u.m.	qt.
		Object	Department: Tecnico	Data: 06.07.2005
		kit C2	Scale: ---	
		description:	Designed by: --	Code n.: 82111LP
		VERTICAL – COAXIAL FLUE KIT SYSTEM	Controlled by: --	met.
		with intake / exhaust pipes Ø125/80	Approved by: --	L.P.G.
			Sheet n.: C0078.0B1	N.

MAXIMUM FLUE LENGTH (linear length)	Models: RBS 24	Models: RS 20 E RS 20 E/B RSF 20 E RMAS 20 E	Models: RS 24 E RS 24 E/B RSF 24 E RMAS 24 E RBA CS 100 E	Models: RS 21 E/3S RSF 21 E/3S RMAS 21 E/3S	Models: SF 14	Models: RS 30 E RS 30 E/B RSF 30 E RMAS 30 E RBA CS 30/100
From 0.5 to 1 m.						
From 1 to 2 m.						
From 2 to 3 m.			No Diaphragm			No Diaphragm
MAXIMUM FLUE LENGTH	3 m.	3 m.	3 m.	3 m.	3 m.	3 m.



NOTE: SEMI-PUNCHED TAGS ON BOTH UPPER AND LOWER DISC

