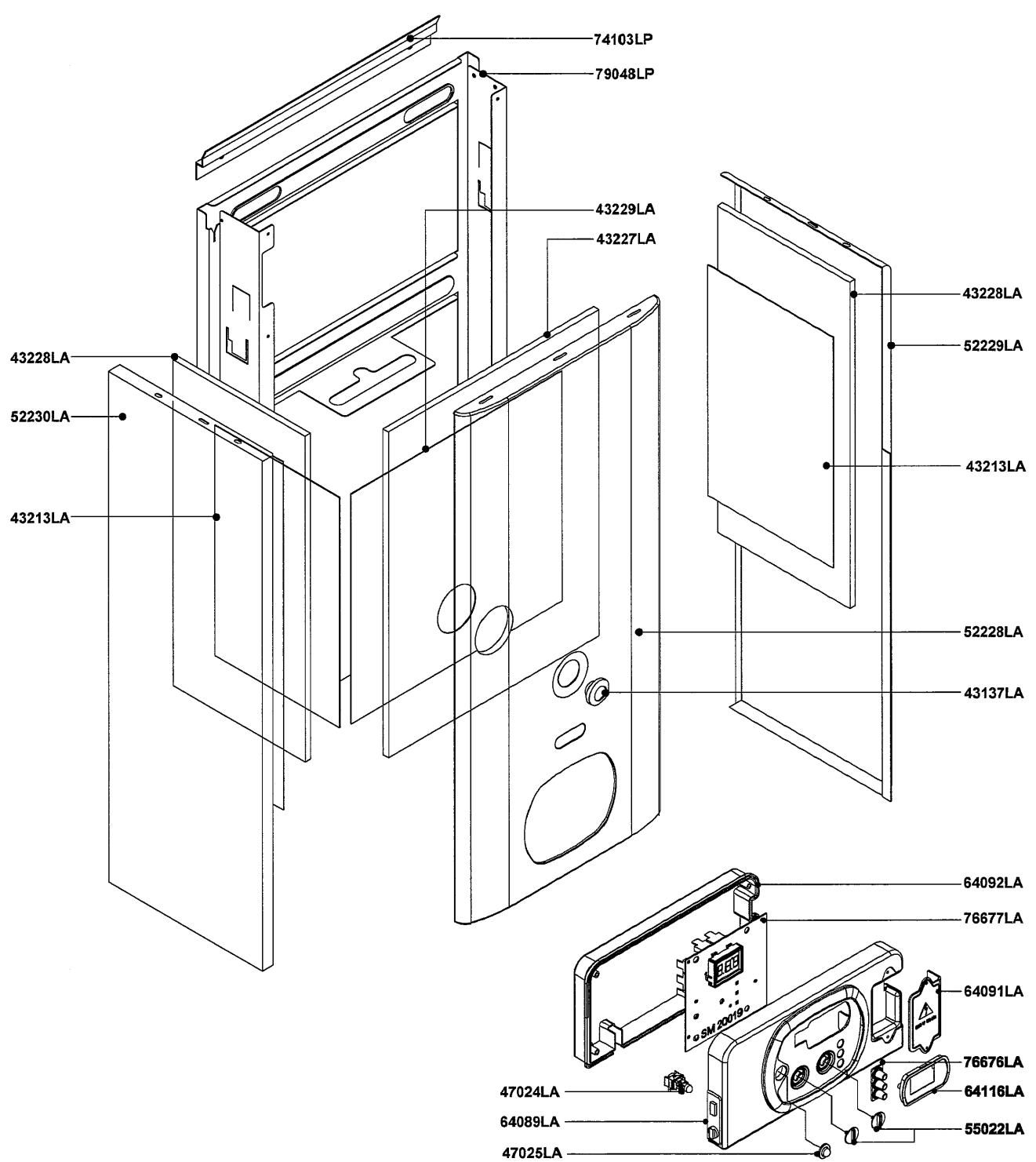
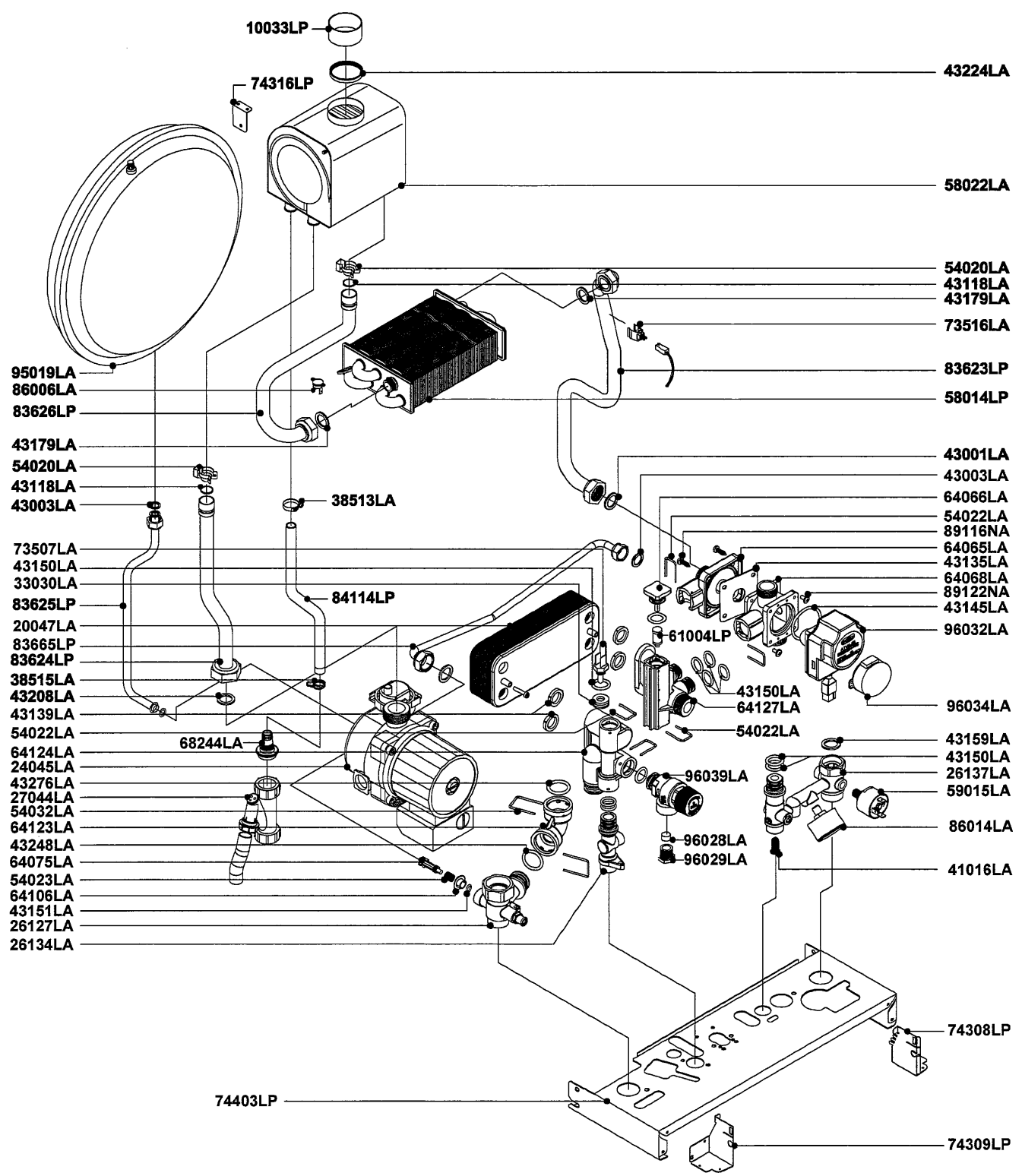


Rev.	Description	Date
------	-------------	------



Pos.	Code	Description:	U.M.	Qt.
		<b>Description:</b>		
		<b>Wall hung Condensing boiler - Spare parts</b>		methane
		<b>FRAME and CASING COMPONENTS</b>		L.P.G.
		<b>Object / model:</b>		heavy oil
		mod. <b>RHR 25</b>		
		Room sealed - electronic ignition		
		<b>Date:</b> 10.01.2007		
		<b>Scale:</b> ---		
		<b>Department:</b> tecnico		
		<b>Designed by:</b>		
		<b>Controlled by:</b>		
		<b>Approved by:</b>		
		<b>Code no.:</b>		
		<b>Sheet no.:</b> <b>B0560_AB1</b>		

ALL DESCRIPTIONS AND ILLUSTRATIONS CONTAINED IN THIS LEAFLET HAVE BEEN CAREFULLY PREPARED BUT WE RESERVE THE RIGHT TO MAKE CHANGES AND IMPROVEMENTS IN OUR PRODUCTS WHICH MAY AFFECT THE ACCURACY OF THE INFORMATION CONTAINED IN THIS LEAFLET. E + OE ALL RIGHTS RESERVED. NO PART OF THIS DOCUMENT MAY BE REPRODUCED, STORED IN RETRIEVAL SYSTEMS OR TRANSMITTED IN ANY FORM OR BY ANY MEANS, WHETHER ELECTRONIC, MECHANICAL, PHOTOCOPIING, RECORDING OR OTHERWISE, WITHOUT THE MANUFACTURER'S PRIOR AUTHORIZATION IN WRITING.



Pos.	Code	Description:	U.M.	Qt.
		<b>Description:</b>		methane
		<b>Wall hung Condensing boiler - Spare parts</b>		L.P.G.
		<b>HYDRAULIC SYSTEM</b>		heavy oil
		<b>Object / model:</b>		
		mod. <b>RHR 25</b>		
		Room sealed - electronic ignition		
		<b>Date:</b> 22.01.2007		
		<b>Scale:</b> ---		
		<b>Department:</b> tecnico		
		<b>Designed by:</b>		
		<b>Controlled by:</b>		
		<b>Approved by:</b>		
			<b>Sheet no.:</b>	<b>B0561_AB1</b>

ALL DESCRIPTIONS AND ILLUSTRATIONS CONTAINED IN THIS LEAFLET HAVE BEEN CAREFULLY PREPARED BUT WE RESERVE THE RIGHT TO MAKE CHANGES AND IMPROVEMENTS IN OUR PRODUCTS WHICH MAY AFFECT THE ACCURACY OF THE INFORMATION CONTAINED IN THIS LEAFLET. E + DE  
 ALL RIGHTS RESERVED. NO PART OF THIS DOCUMENT MAY BE REPRODUCED, STORED IN RETRIEVAL SYSTEMS OR TRANSMITTED IN ANY FORM OR BY ANY MEANS, WHETHER ELECTRONIC, MECHANICAL, PHOTOCOPIING, RECORDING OR OTHERWISE, WITHOUT THE MANUFACTURER'S PRIOR AUTHORIZATION IN WRITING.



