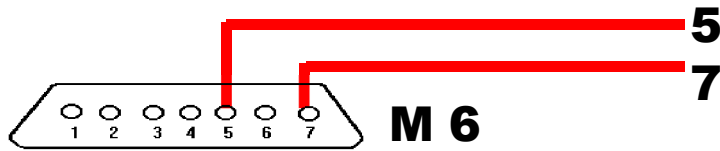


FACT FILE 005

CONVERSION FROM HE13 TO RAD 001 FAN RELAY

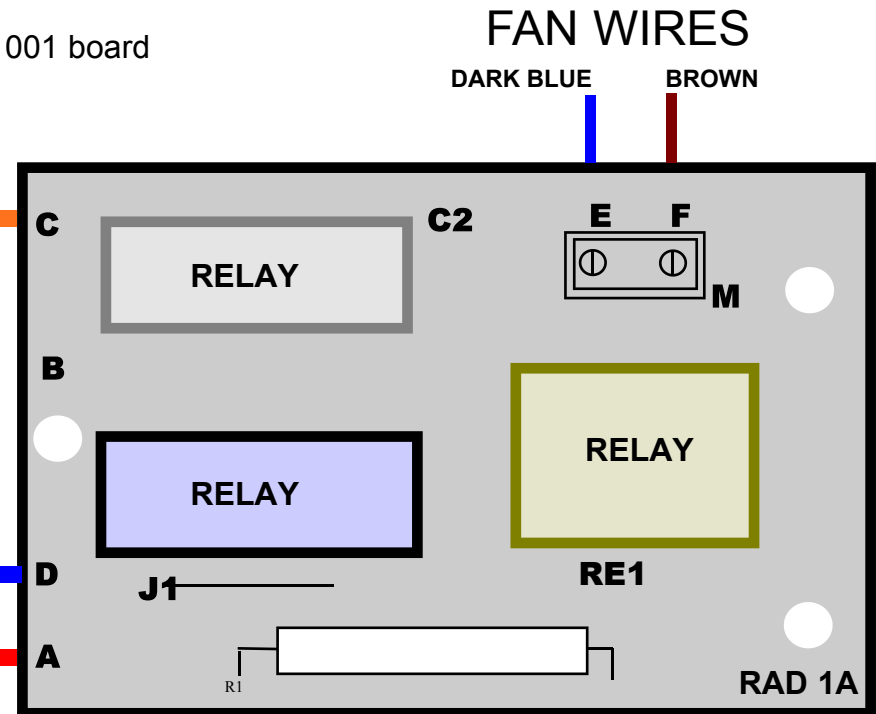
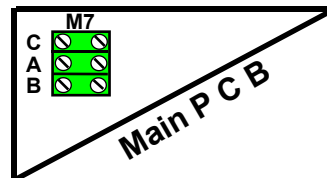
“WARNING: Isolate mains supply before attempting any work”

1. Remove HE13 Board
2. Remove all wires from plug connectors
3. Fit RAD 001 board in place of HE13 board
4. Connect DARK BLUE & BROWN wires (Fan) to EF terminals on RAD 001 board
5. Connect LIGHT BLUE & ORANGE wires to M8 on main PCB
6. **WARNING DO NOT RE-CONNECT PINK wire (ISOLATE)**
7. Connect RED wires to 5 and 7 on main PCB socket M6

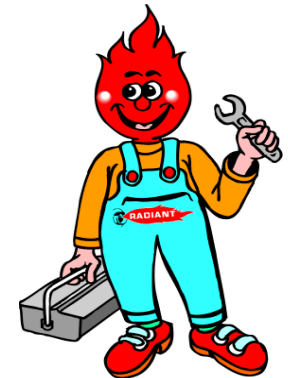


8. RAD001a board
Connect :
- | | |
|----------------|------|
| LT/BLUE+ORANGE | to C |
| RED | to A |
| BLUE | to B |

M7 On Main PCB



Part no.76603LA



RADIANT TECHNICAL HELP LINE 01329 - 828555

FACTFILE 005