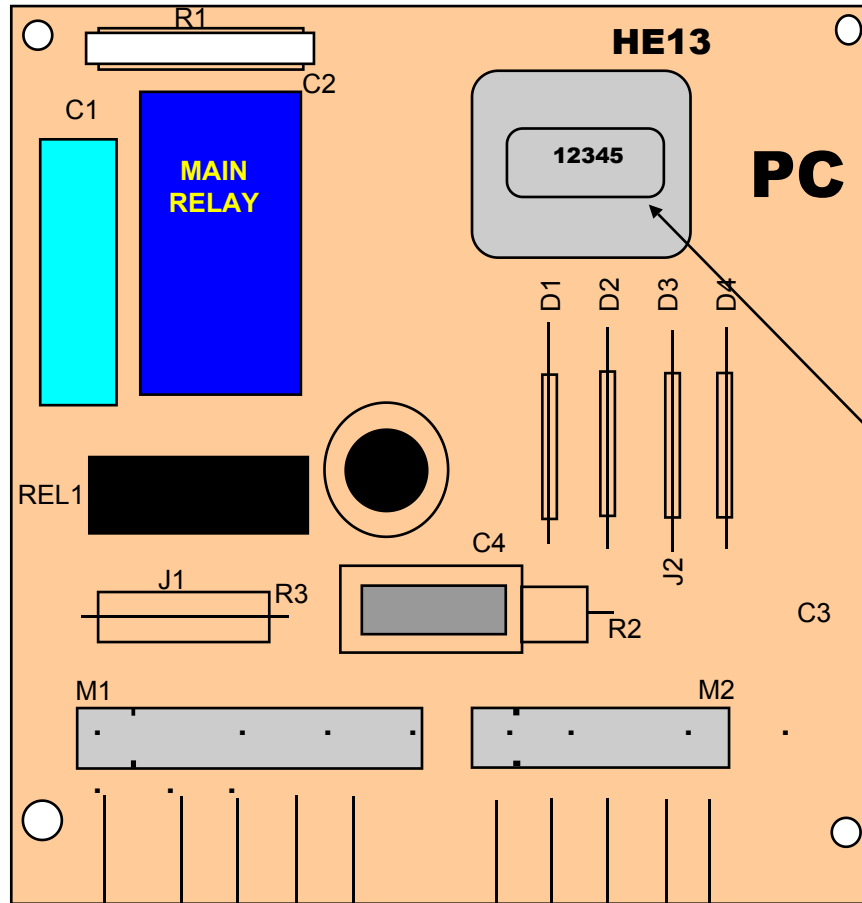


RADIANT HELP LINE
01329 - 828555



- 50 BLUE
- 51 BROWN
- 52 ORANGE
- 53 BLUE
- 54 BROWN

- 50 Fan
- 51 Fan
- 52 Common (c) Air pressure switch
- 53 NC (Normally close) contact of Air pressure switch
- 54 NO (Normally open) contact of Air pressure switch

- RED
 - BLUE
 - ORANGE
 - RED
 - RED
- CONNECTION TO GAS VALVE
- Direct Line to B of M7
Neutral to C of M7
Line to A of M7 Switch } TO M 7 ON MAIN PCB
- CONNECTION TO GAS VALVE

OPERATION OF BOARD

FAN RUNS SLOW, ON DEMAND GOES TO HIGH SPEED
IF THIS IS NOT SO, TAP BLUE RELAY CASE
IF NO RESPONSE

CHECK VOLTAGE AT BLUE & RED WIRE ON M7

THIS SHOULD READ 240 VOLTS ON BOTH

IF 240 VOLTS :- HE13 HAS FAILED

IF NO VOLTAGE:- CHECK WATER PRESSURE SWITCH
CHECK ELECTRICAL MAIN SUPPLY
CHECK MAIN PCB

PLEASE NOTE THESE BOARDS ARE NO LONGER MADE
BUT ARE AVAILABLE AS MANUFACTURERS REWORKED
UNITS ONLY
REPLACEMENT BOARDS HAVE NEW SERIAL NUMBER
AFFIXED FOR WARRANTY PURPOSES

NOTE:
THESE BOARDS ARE FITTED TO BOILERS WHICH ARE AT
LEAST 5-10 YEARS OLD

