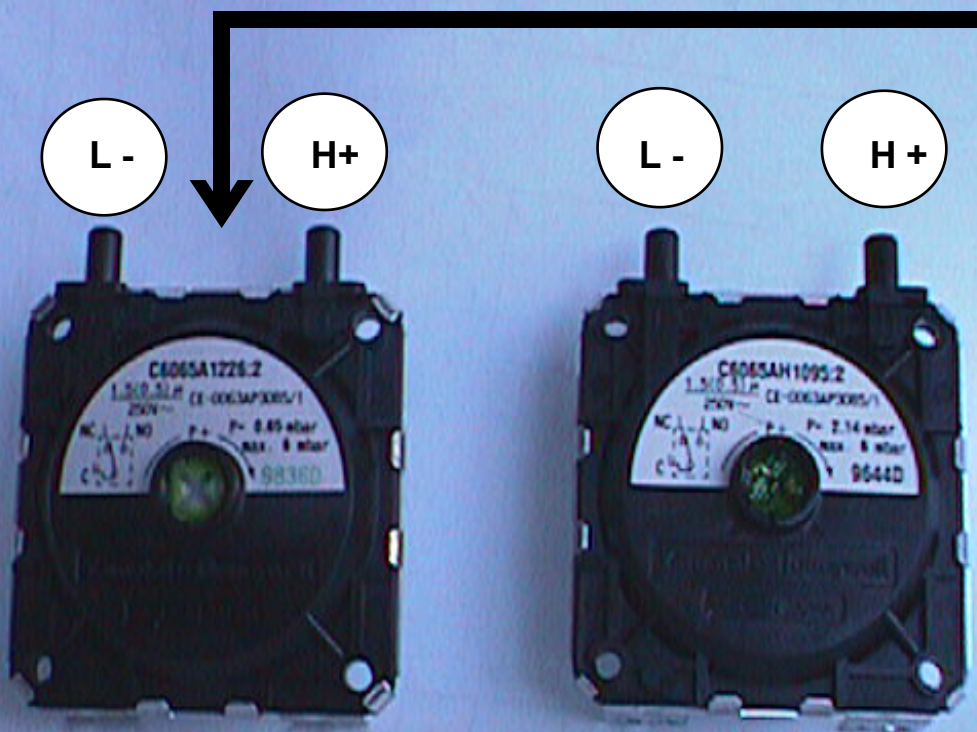


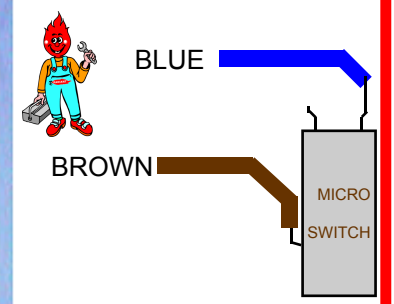
FACT FILE 008

AIR PRESSURE SWITCH DETAILS



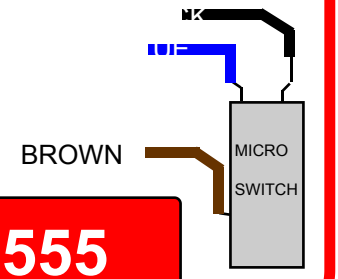
EARLIER MODEL
BOILER WITH ONE HOLE
IN BOILER TOP PLATE

C 6065A 1226:2
P = .69 mbar
max. 6mbar



CURRENT MODEL
BOILER WITH THREE
HOLES IN BOILER TOP
PLATE

C6065AH 1095:2
P = 2.14 mbar
max. 6 mbar



PART NO. 59006LA

PART NO. 59006LB

RADIANT TECHNICAL HELP LINE (UK) 01329 - 828555

Please Note: These Drawings and notes are purely to assist service engineers, the drawings are not to scale just diagrammatic E&OE © 2001 Revised 28/08/03