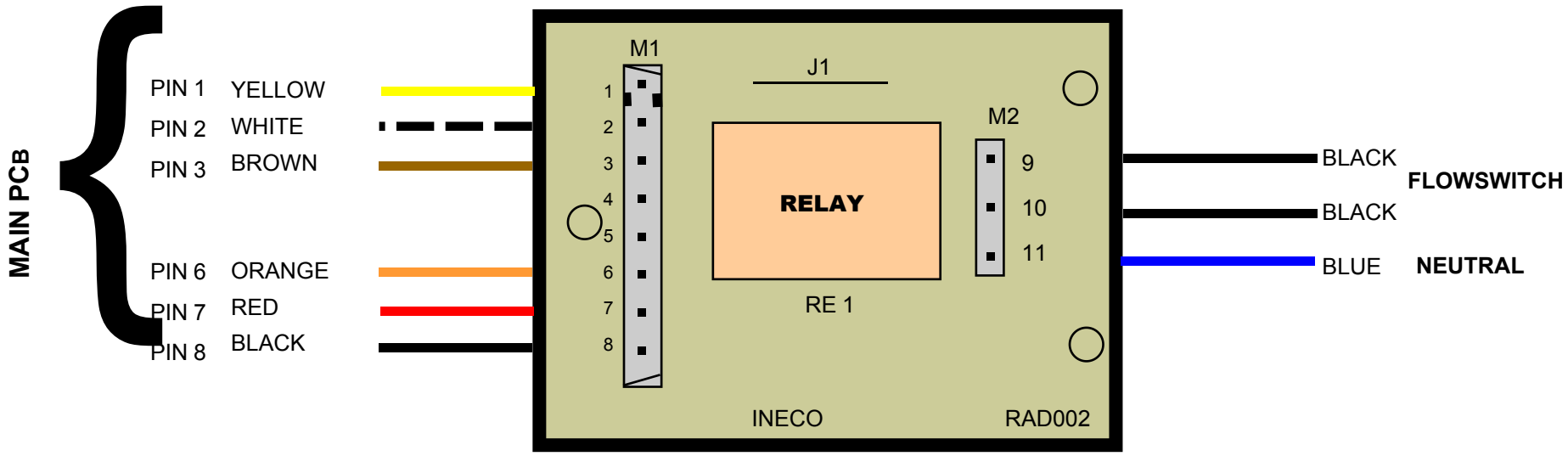


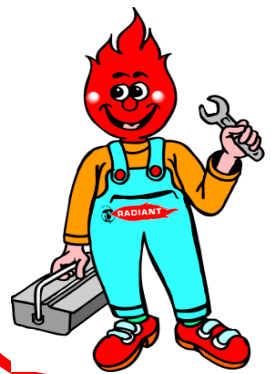
FACT FILE 11

RADIANT FLOW SWITCH PCB



INECO FLOW SWITCH BOARD RAD002

PART NO. 76606 LA



Radiant Technical Help Line 01329 828555

Please Note: These Drawings and notes are purely to assist service engineers, the drawings are not to scale just diagrammatic E&OE © 2001