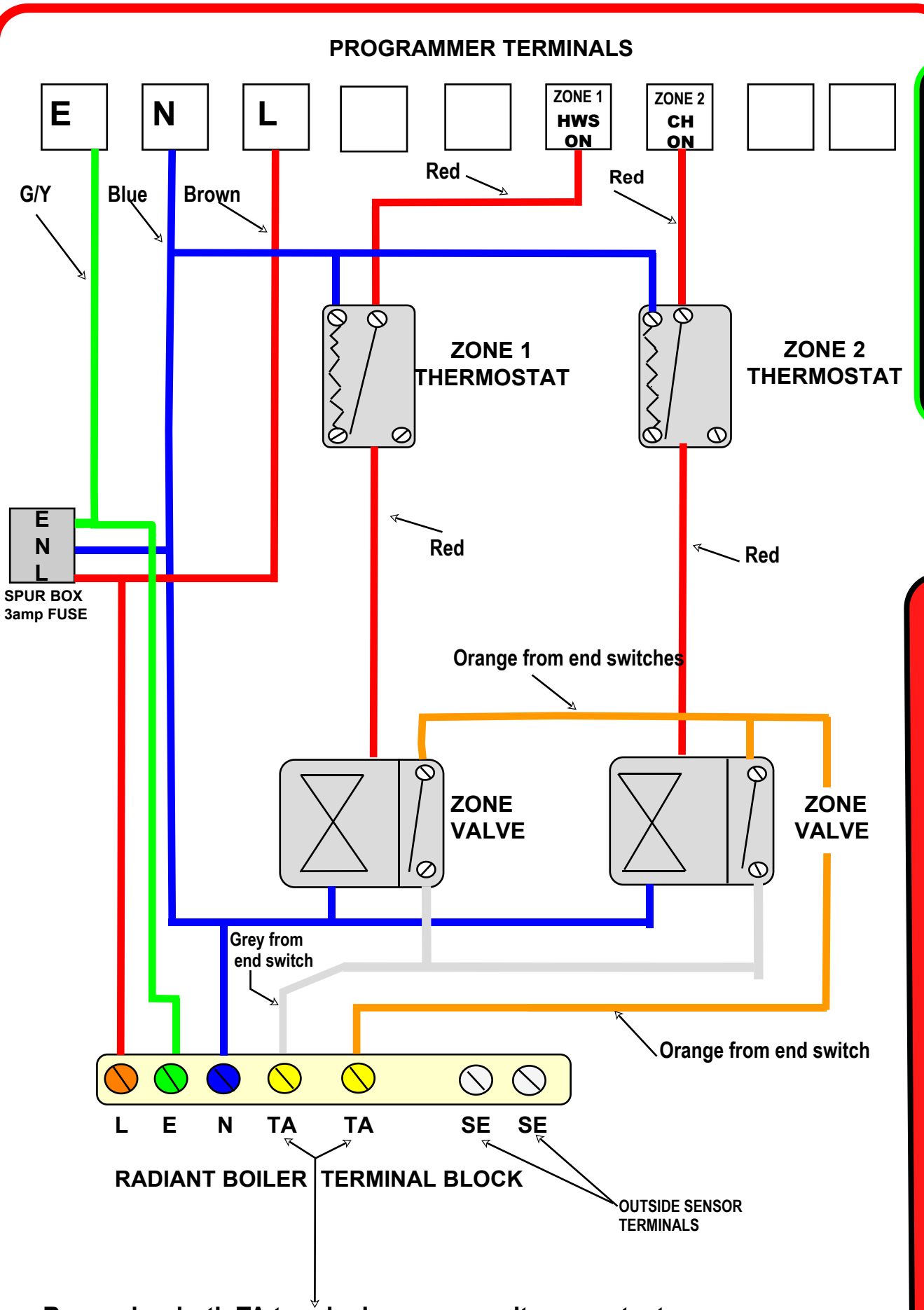


Please Note: These Drawings and notes are purely to assist service engineers, the drawings are not to scale just diagrammatic E&OE © 2001/2006

FACTFILE 021

RADIANT BOILER WITH ZONE VALVES



Remember both TA terminals are non voltage contacts

RADIANT TECHNICAL HELP LINE 0870 770 0414