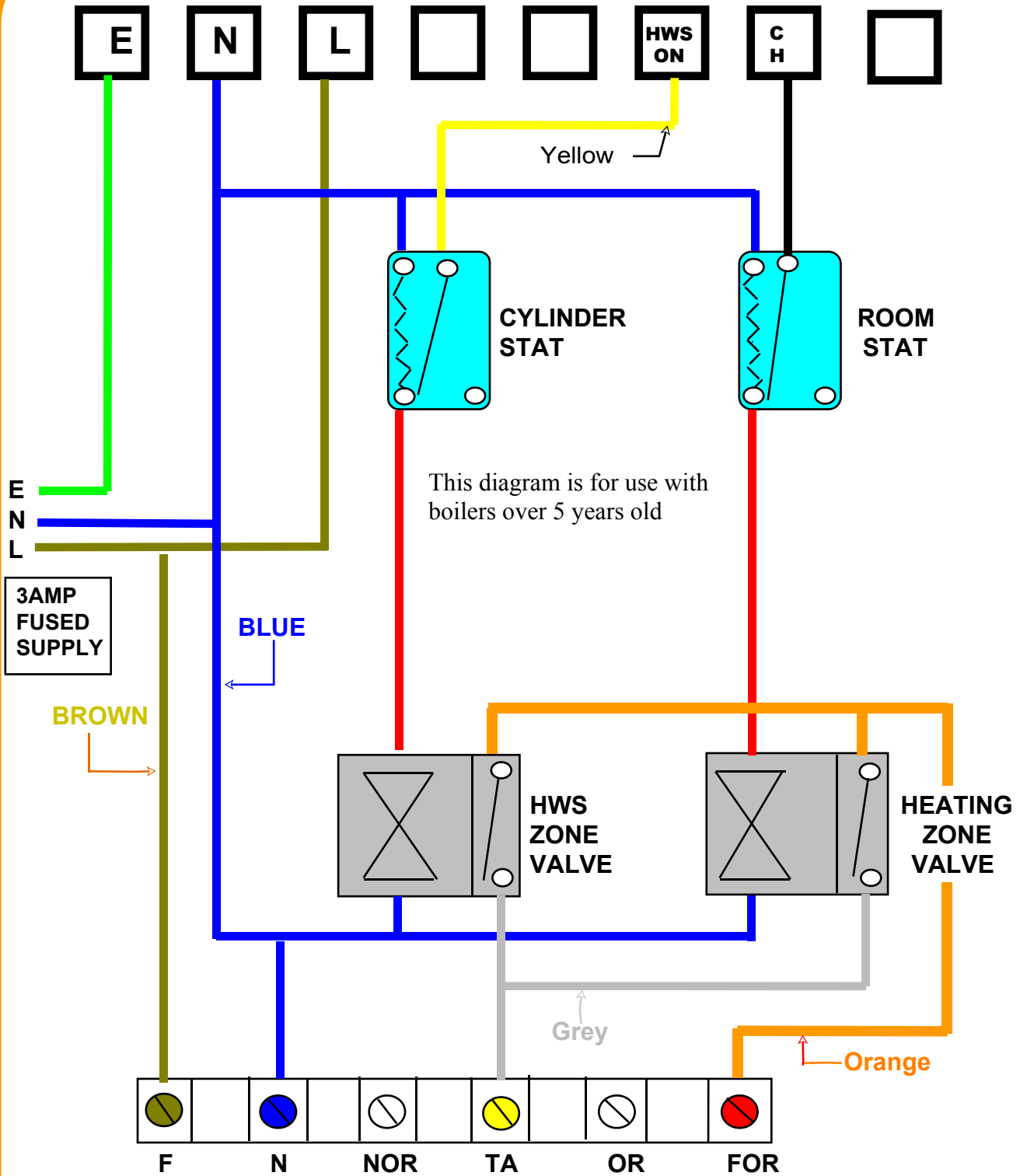


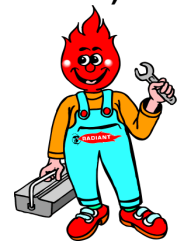
PROGRAMMER TERMINALS



This diagram is for use with boilers over 5 years old

RADIANT BOILER PCB TERMINAL BLOCK (NOT SELF DIAGNOSTIC)
240 VOLT CIRCUIT

RADIANT TECHNICAL HELPLINE
01329 - 828555



Please Note: These Drawings and notes are purely to assist service engineers, the drawings are not to scale just diagrammatic E&OE © 2001