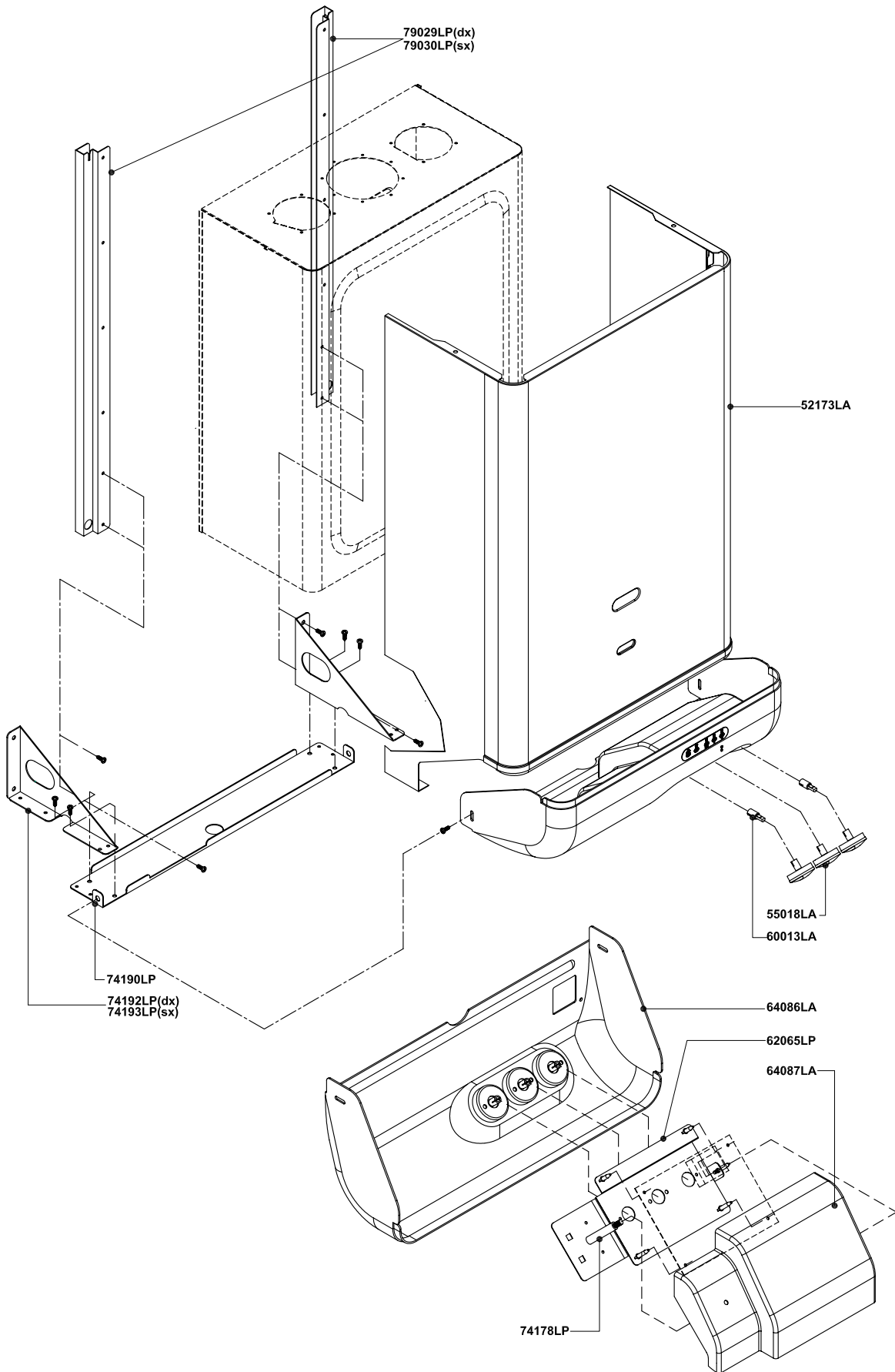


Rev.

Description

Date



Pos.	Code	Description:		U.M.	Qt.
		Description:	Date: 06.09.2002	A051A612A101	methane
		Wall hung boiler	Scale: —	A051B612A101	L.P.G.
		FRAME + CASING COMPONENTS	Department: tecnico		
		Object / model:	Designed by:		heavy oil
		mod. RS 20 E / 40-60	Controlled by:		
		<i>room sealed - electronic ignition</i>	Approved by:	Sheet no.:	B0177_AB1
<small>ALL DESCRIPTIONS AND ILLUSTRATIONS CONTAINED IN THIS LEAFLET HAVE BEEN CAREFULLY PREPARED BUT WE RESERVE THE RIGHT TO MAKE CHANGES AND IMPROVEMENTS IN OUR PRODUCTS WHICH MAY AFFECT THE ACCURACY OF THE INFORMATION CONTAINED IN THIS LEAFLET, E + OE ALL RIGHTS RESERVED. NO PART OF THIS DOCUMENT MAY BE REPRODUCED, SAVED IN STORAGE SYSTEMS OR TRANSMITTED IN ANY FORM OR BY ANY MEANS, WHETHER ELECTRONIC, MECHANICAL, PHOTOCOPIING, RECORDING OR OTHERS, WITHOUT THE MANUFACTURER'S PRIOR AUTHORIZATION IN WRITING.</small>					



AUSTALIA 101 me

Approved by:

