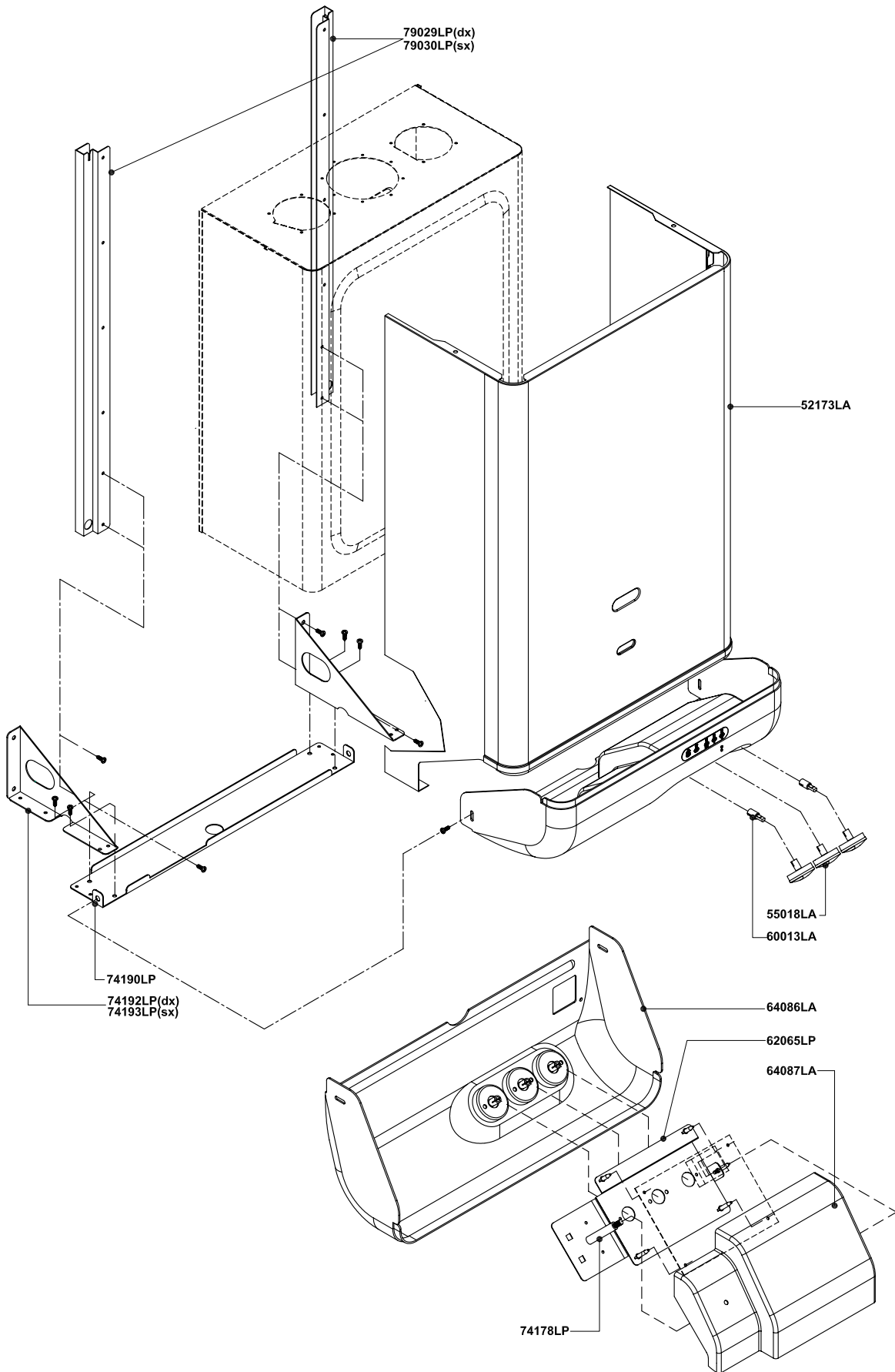


Rev.

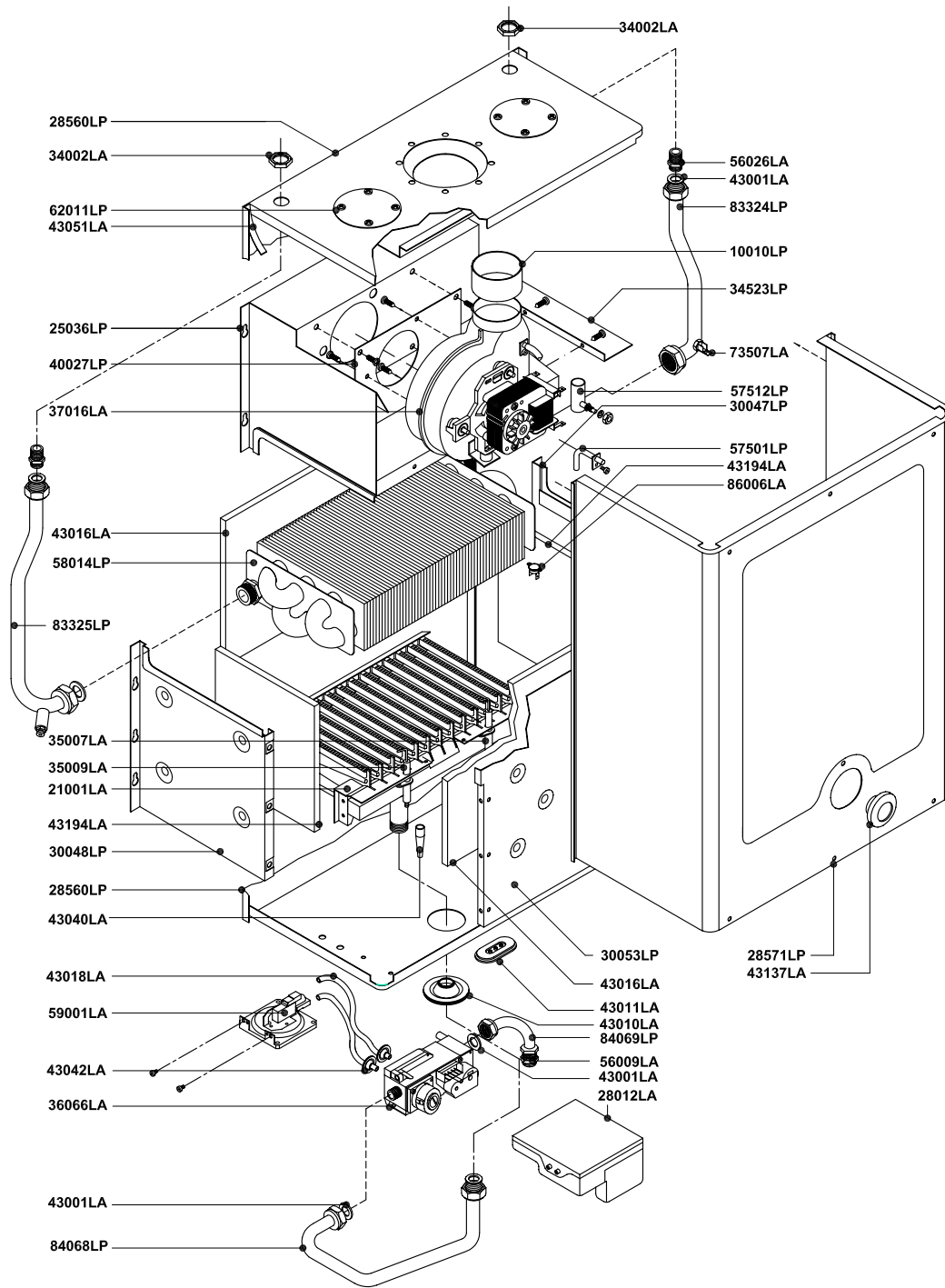
Description

Date



Pos.	Code	Description:		U.M.	Qt.
		Description:	Date: 06.09.2002	A051A612A301	methane
		Wall hung boiler	Scale: —	A051B612A301	L.P.G.
		FRAME + CASING COMPONENTS	Department: tecnico		
		Object / model:	Designed by:		heavy oil
		mod. RS 24 E / 70-90	Controlled by:		
		<i>room sealed - electronic ignition</i>	Approved by:	Sheet no.:	B0180_AB1
<small>ALL DESCRIPTIONS AND ILLUSTRATIONS CONTAINED IN THIS LEAFLET HAVE BEEN CAREFULLY PREPARED BUT WE RESERVE THE RIGHT TO MAKE CHANGES AND IMPROVEMENTS IN OUR PRODUCTS WHICH MAY AFFECT THE ACCURACY OF THE INFORMATION CONTAINED IN THIS LEAFLET, E + OE ALL RIGHTS RESERVED. NO PART OF THIS DOCUMENT MAY BE REPRODUCED, SAVED IN STORAGE SYSTEMS OR TRANSMITTED IN ANY FORM OR BY ANY MEANS, WHETHER ELECTRONIC, MECHANICAL, PHOTOCOPIING, RECORDING OR OTHERS, WITHOUT THE MANUFACTURER'S PRIOR AUTHORIZATION IN WRITING.</small>					



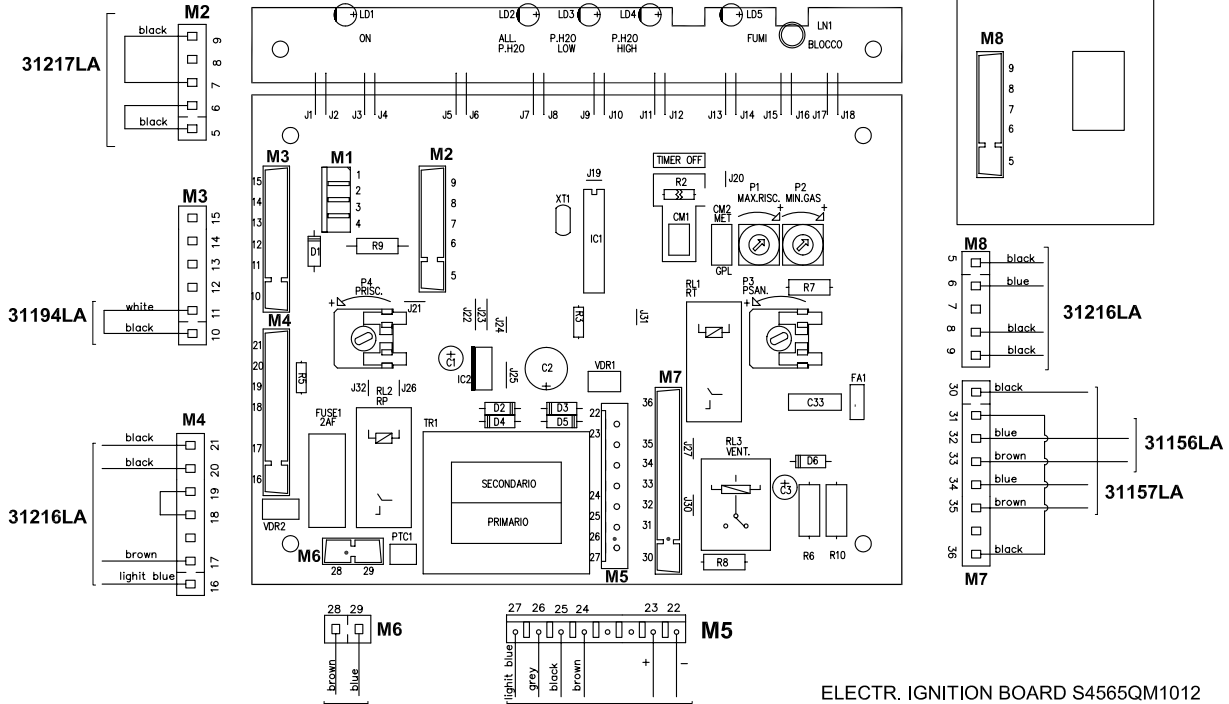


Pos.	Code	Description:		U.M.	Qt.
		Description:	Date: 06.09.2002	A051A612A301	methane
		Wall hung boiler	Scale: —	A051B612A301	L.P.G.
		THERMAL SYSTEM + HYDRAULIC SYSTEM	Department: tecnico		
		Object / model:	Designed by:		heavy oil
		mod. RS 24 E / 70-90	Controlled by:		
		<i>room sealed - electronic ignition</i>	Approved by:	Sheet no.:	B0181_AB1
<small>ALL DESCRIPTIONS AND ILLUSTRATIONS CONTAINED IN THIS LEAFLET HAVE BEEN CAREFULLY PREPARED BUT WE RESERVE THE RIGHT TO MAKE CHANGES AND IMPROVEMENTS IN OUR PRODUCTS WHICH MAY AFFECT THE ACCURACY OF THE INFORMATION CONTAINED IN THIS LEAFLET, E + OE ALL RIGHTS RESERVED. NO PART OF THIS DOCUMENT MAY BE REPRODUCED, SAVED IN STORAGE SYSTEMS OR TRANSMITTED IN ANY FORM OR BY ANY MEANS, WHETHER ELECTRONIC, MECHANICAL, PHOTOCOPIING, RECORDING OR OTHERS, WITHOUT THE MANUFACTURERS PRIOR AUTHORISATION IN WRITING.</small>					

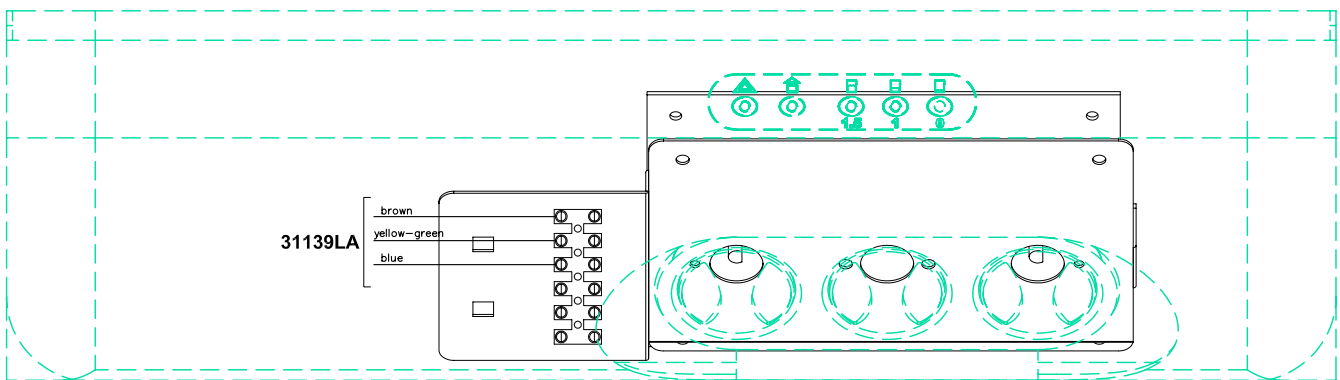
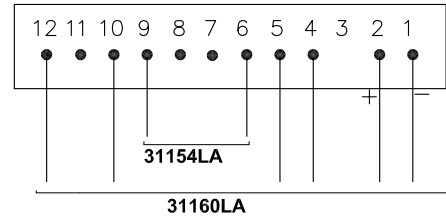


PRINTED CIRC. BOARD SM20013
cod. 76646LA

MAIN P.C.B. RRX 88989017600
cod. 76645LA



ELECTR. IGNITION BOARD S4565QM1012
cod. 76631LA



Pos.	Code	Description:	U.M.	Qt.
		Description:		
		Wall hung boiler		
		ELECTRIC SYSTEM		
		Object / model:		
		mod. RS 24 E / 70-90		
		<i>room sealed - electronic ignition</i>		
		Date: 06.09.2002	A051A612A301	methane
		Scale: —	A051B612A301	L.P.G.
		Department: tecnico		
		Designed by:		heavy oil
		Controlled by:		
		Approved by:	Sheet no.:	B0182_AB1

ALL DESCRIPTIONS AND ILLUSTRATIONS CONTAINED IN THIS LEAFLET HAVE BEEN CAREFULLY PREPARED BUT WE RESERVE THE RIGHT TO MAKE CHANGES AND IMPROVEMENTS IN OUR PRODUCTS WHICH MAY AFFECT THE ACCURACY OF THE INFORMATION CONTAINED IN THIS LEAFLET, E + OE ALL RIGHTS RESERVED. NO PART OF THIS DOCUMENT MAY BE REPRODUCED, SAID IN STORAGE SYSTEMS OR TRANSMITTED IN ANY FORM OR BY ANY MEANS, WHETHER ELECTRONIC, MECHANICAL, PHOTOCOPIING, RECORDING OR OTHERS, WITHOUT THE MANUFACTURERS PRIOR AUTHORIZATION IN WRITING.