

OPEN
Vented



Wall Hung gas boiler

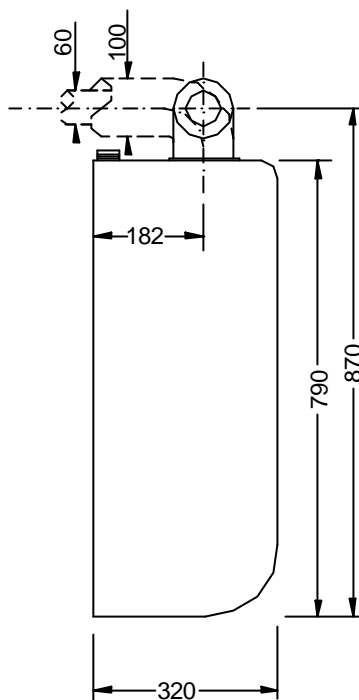
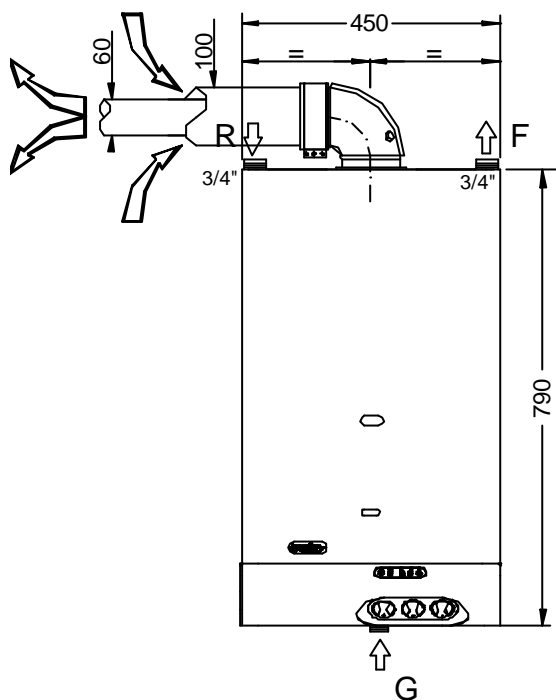
mod. **RS 20 E**

mod. **RS 24 E**

TECHNICAL DATA

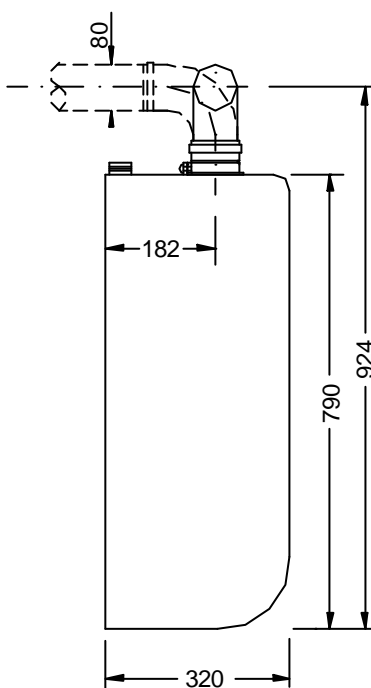
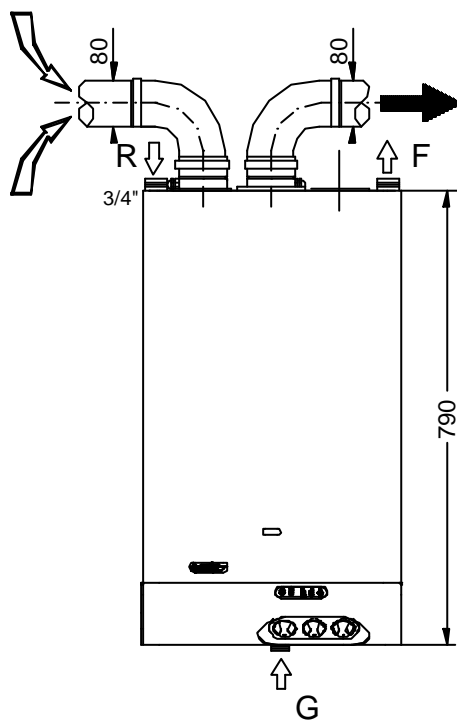
		RS 20 E / 40 – 60	RS 24 E / 70 – 90
Minimum rated output	kW	11	20,5
	BTU/h _r	37537	70000
Maximum rated output	kW	17.5	26.8
	BTU/h _r	60000	91621
Max. working pressure (heating)	bar	3	3
Min. working pressure (heating)	bar	0.3	0.3
Max. heating temperature	°C	80	80
Width	mm.	440	440
Height	mm.	660	660
Depth	mm.	260	260
Weight	Kg.	28	28
Coaxial exhaust flue diameter	Ø	100/60	100/60
Double exhaust flue diameter	Ø	80/80	80/80
Flow/return connections	Ø	3/4"	¾"
Gas connections	Ø	1/2"	½"
Electrical connection 50 Hz	V	230	230
Power supply	W	70	70
Burner jets NP 13 G20	Ø	1.25	1.25
Burner jets NP 13 G30-G31	Ø	0.75	0.77

OVERALL DIMENSIONS - EXHAUST FLUE SYSTEM



**TYPE C WALL-MOUNTED BOILERS
SEALED COMBUSTION
CIRCUIT:**

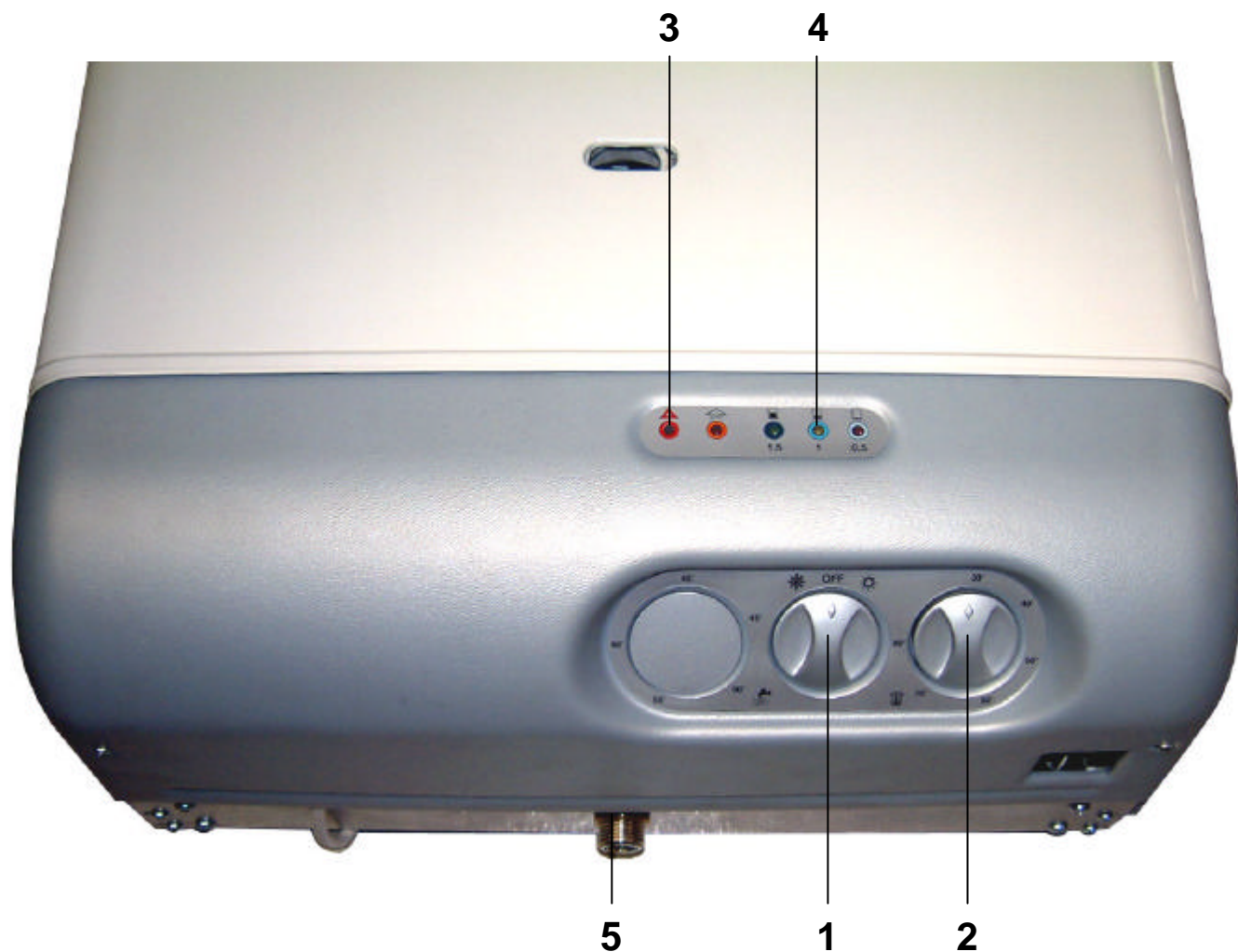
Kit A
Horizontal coaxial exhaust
flue system with 360°
rotation.



Kit B
Double exhaust/emission
twin flue system with 360°
rotation.

R RETURN $\frac{3}{4}$ "
G GAS $\frac{1}{2}$ "
F HEATING FLOW $\frac{3}{4}$ "

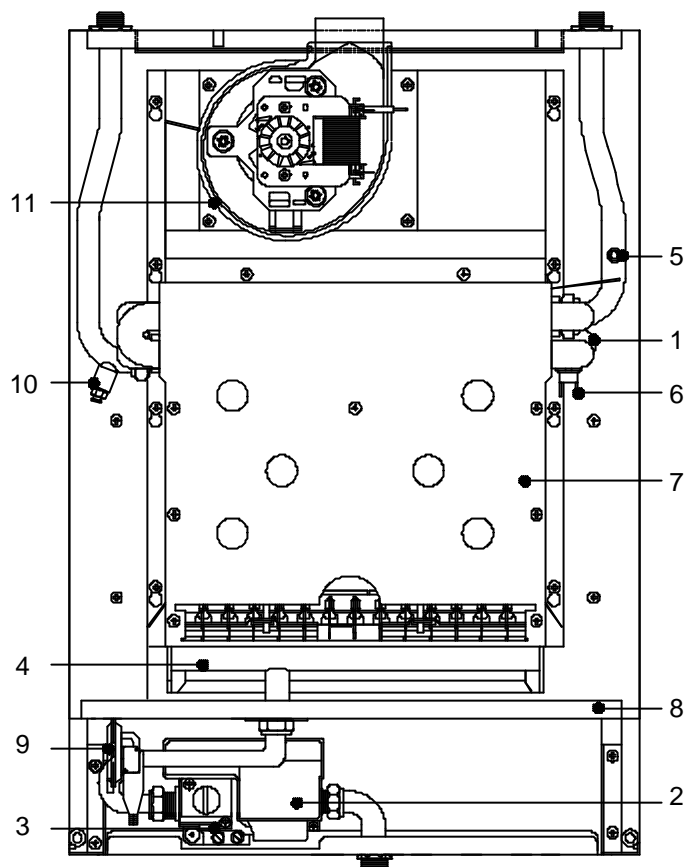
CONTROL PANEL



CONTROLS

1. ON / OFF POWER SWITCH.
2. HEATING TEMPERATURE ADJUSTMENT KNOB
3. WARNING: LOCK-OUT INDICATOR
4. OPERATING / POWER INDICATOR
5. GAS INLET 1/2"

MAIN COMPONENTS

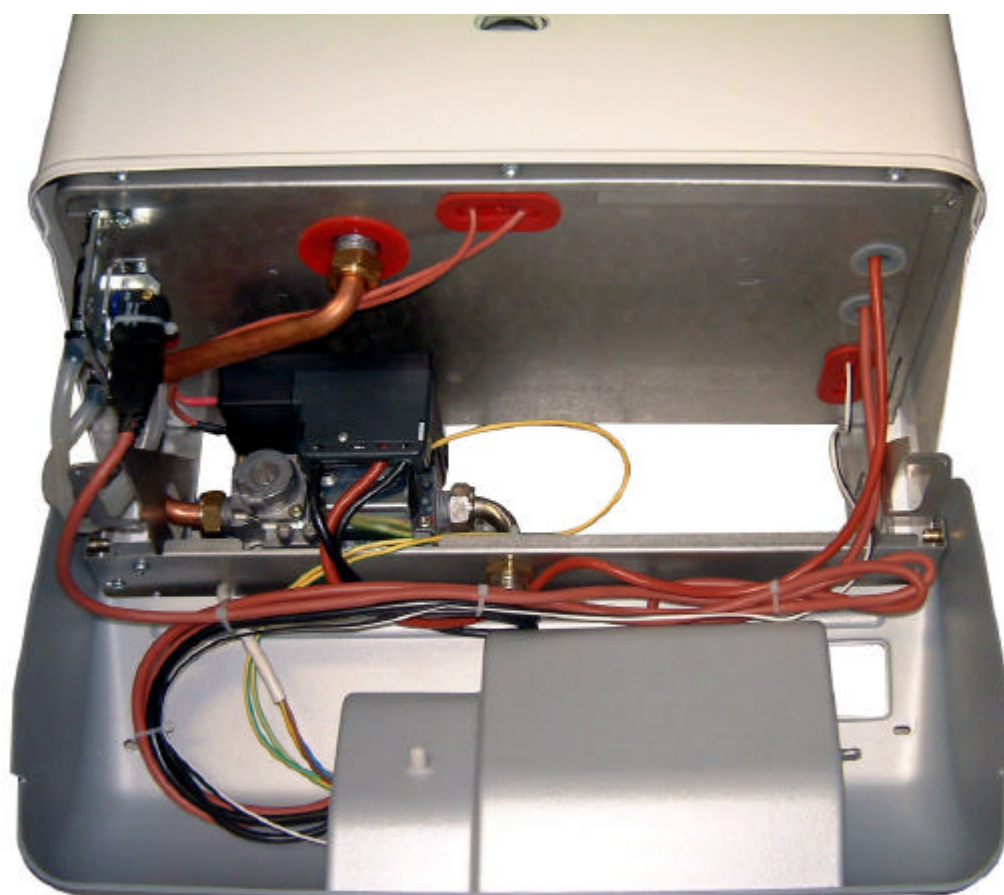


KEY

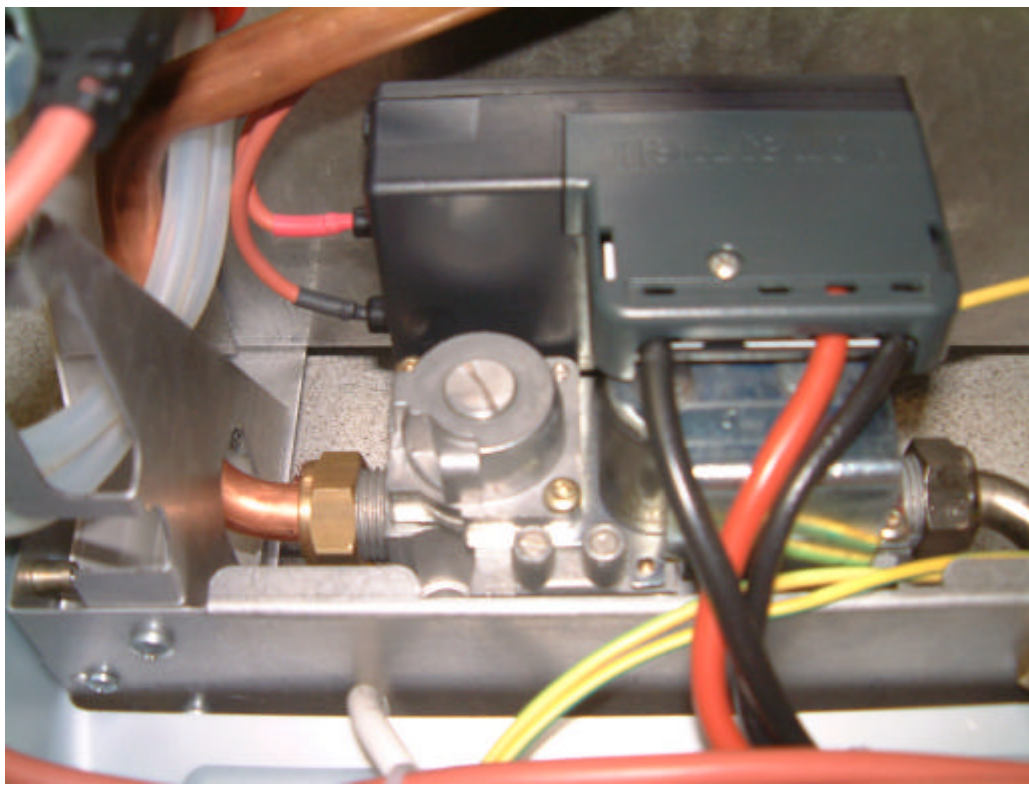
1. MAIN HEAT EXCHANGER
2. ELECTRONIC IGNITION BOARD S4565QM1012
3. GAS VALVE
4. BURNER
5. HEATING SENSOR
6. LIMIT THERMOSTAT 90°C
7. FLUE HOOD ROOM SEALED
8. ROOM-SEALED CHAMBER COVER
9. AIR PRESSURE SWITCH
10. DRAINING TAP
11. EXHAUST FAN



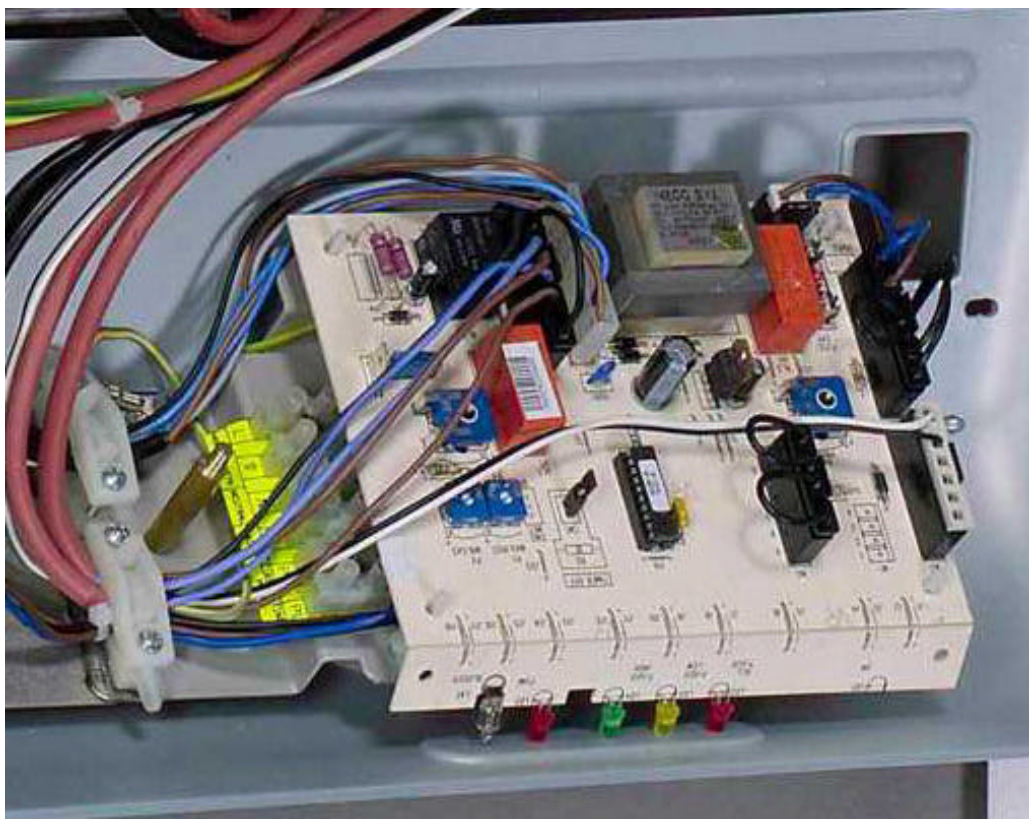
PULLING THE PANEL
DOWNWARDS



PANEL WITH ELECTRICAL
CONNECTIONS



GAS VALVE VK4105 G



PRINTED CIRCUIT BOA
SM20013



RADIANT BRUCIATORI S.p.A.
Gas Oil, Heavy-oil burners, Wall-hung boilers
Cast iron thermal unit, Storage cylinder boilers
Water heaters

Registered Office:

61025 Montelabbate (PU) Italy • Via Pantanelli, 164
Phone +39 0721 90791 15 linee
telefax. +39 0721 9079299 (italy) - +39 0721 9079279 (export)
Email: italia@radiant.it • tecnico@radiant.it • export@radiant.it
Internet: <http://www.radiant.it>

All descriptions and illustrations contained in this leaflet have been carefully prepared but we reserve the right to make changes and improvements in our products which may affect the accuracy of the information contained in this leaflet. E + OE
All rights reserved. No part of this document may be reproduced, saved in storage systems or transmitted in any form or by any means, whether electronic, mechanical, photocopying, recording or others, without the Manufacturer's prior authorisation in writing.