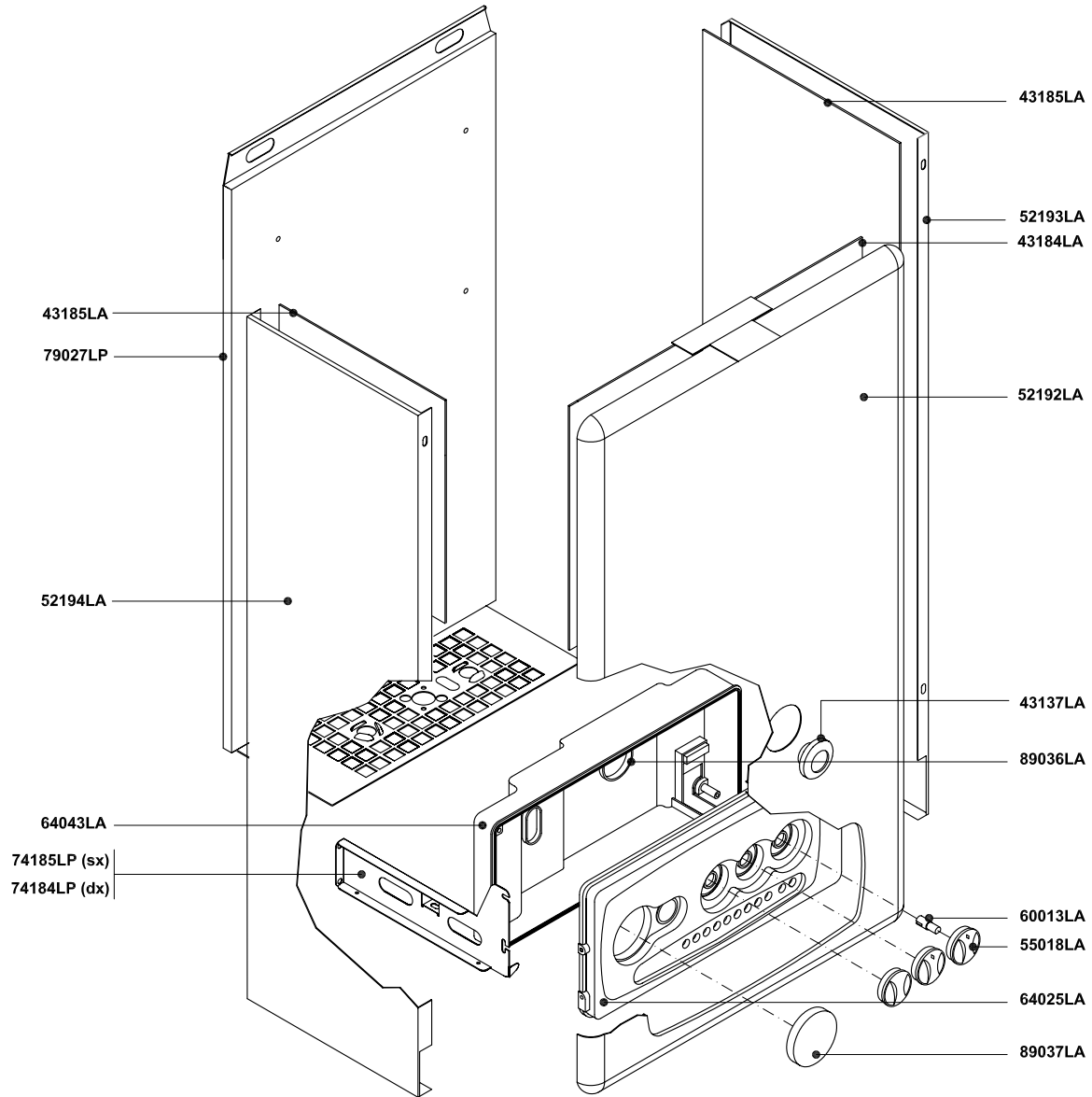


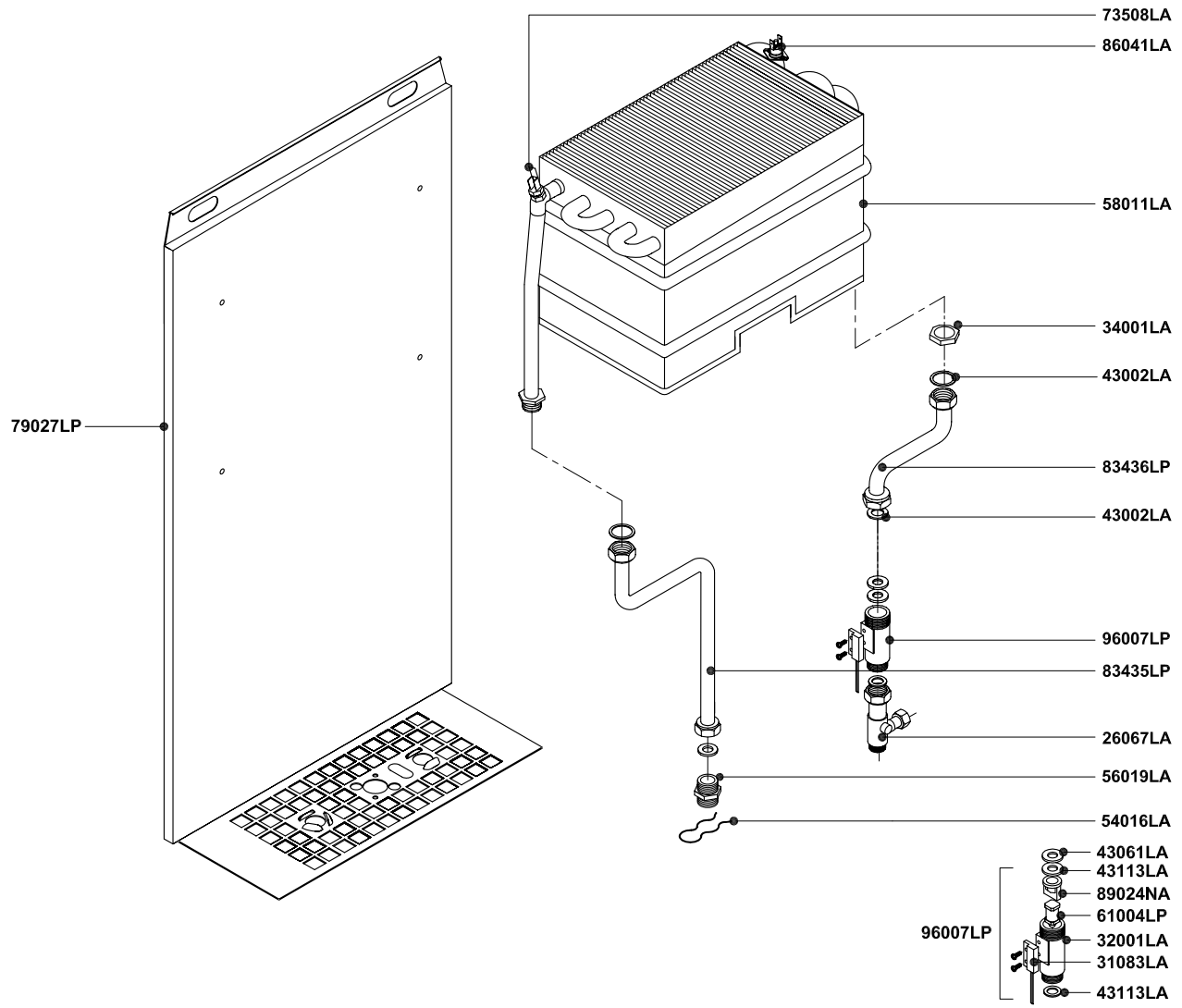
Rev.	Description	Date
------	-------------	------




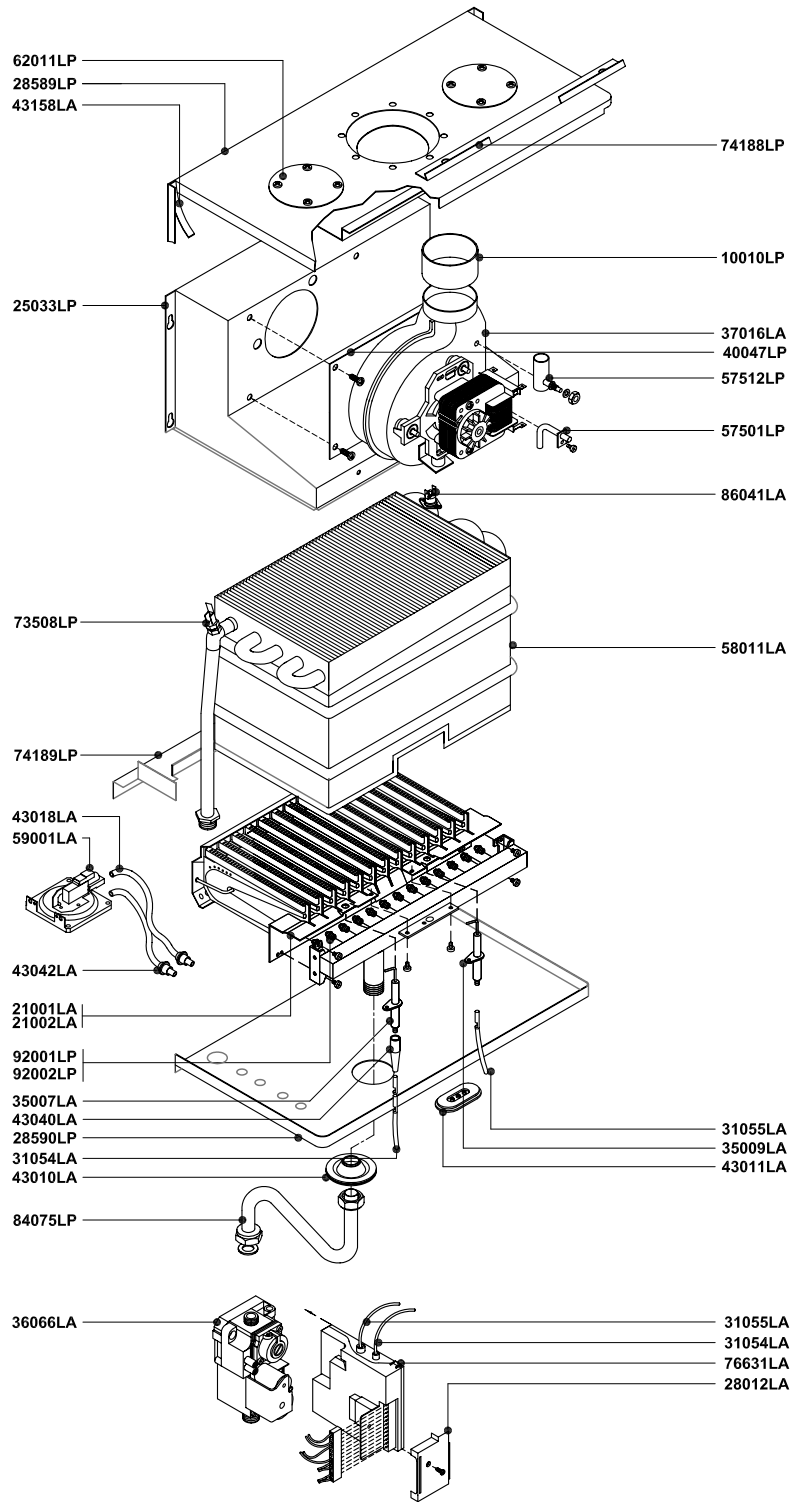
Pos.	Code	Description:		U.M.	Qt.
		Description:	Date: 09.01.2003	A055A512A101	methane
		Gas water heater- spare parts	Scale: —	A055B512A101	L.P.G.
		FRAME and CASING COMPONENTS	Department: tecnico		
		Object / model:	Designed by:		heavy oil
		mod. SF 14 E	Controlled by:		
		<i>room sealed - electronic ignition</i>	Approved by:	Sheet no.:	B0215_AB1
<small>ALL DESCRIPTIONS AND ILLUSTRATIONS CONTAINED IN THIS LEAFLET HAVE BEEN CAREFULLY PREPARED BUT WE RESERVE THE RIGHT TO MAKE CHANGES AND IMPROVEMENTS IN OUR PRODUCTS WHICH MAY AFFECT THE ACCURACY OF THE INFORMATION CONTAINED IN THIS LEAFLET, E + 0E ALL RIGHTS RESERVED. NO PART OF THIS DOCUMENT MAY BE REPRODUCED, SAVED IN STORAGE SYSTEMS OR TRANSMITTED IN ANY FORM OR BY ANY MEANS, WHETHER ELECTRONIC, MECHANICAL, PHOTOCOPIING, RECORDING OR OTHERS, WITHOUT THE MANUFACTURERS PRIOR AUTHORISATION IN WRITING.</small>					



Rev.	Description	Date
------	-------------	------



Pos.	Code	Description:	Date:	U.M.	Qt.
		Description: Gas water heater- spare parts HYDRAULIC SYSTEM	09.01.2003	A055A512A101	methane
		Object / model: mod. SF 14 E <i>room sealed - electronic ignition</i>	Scale: —	A055B512A101	L.P.G.
			Department: tecnico		heavy oil
			Designed by:		
			Controlled by:		
			Approved by:	Sheet no.:	B0216_AB1
					
<small>ALL DESCRIPTIONS AND ILLUSTRATIONS CONTAINED IN THIS LEAFLET HAVE BEEN CAREFULLY PREPARED BUT WE RESERVE THE RIGHT TO MAKE CHANGES AND IMPROVEMENTS IN OUR PRODUCTS WHICH MAY AFFECT THE ACCURACY OF THE INFORMATION CONTAINED IN THIS LEAFLET. E + OE ALL RIGHTS RESERVED. NO PART OF THIS DOCUMENT MAY BE REPRODUCED, SAID IN STORAGE SYSTEMS OR TRANSMITTED IN ANY FORM OR BY ANY MEANS, WHETHER ELECTRONIC, MECHANICAL, PHOTOCOPIING, RECORDING OR OTHERS, WITHOUT THE MANUFACTURERS PRIOR AUTHORISATION IN WRITING.</small>					



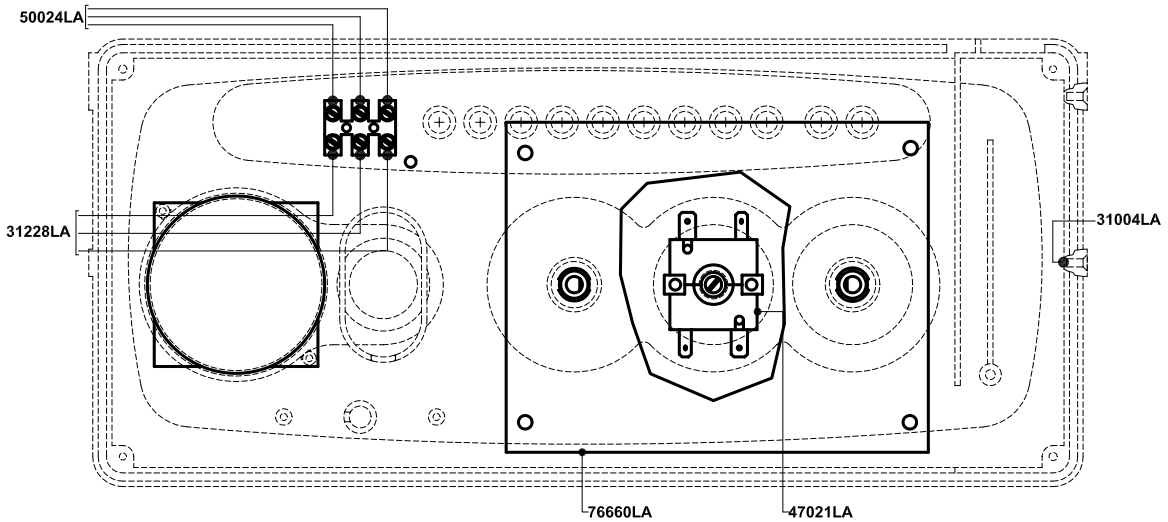
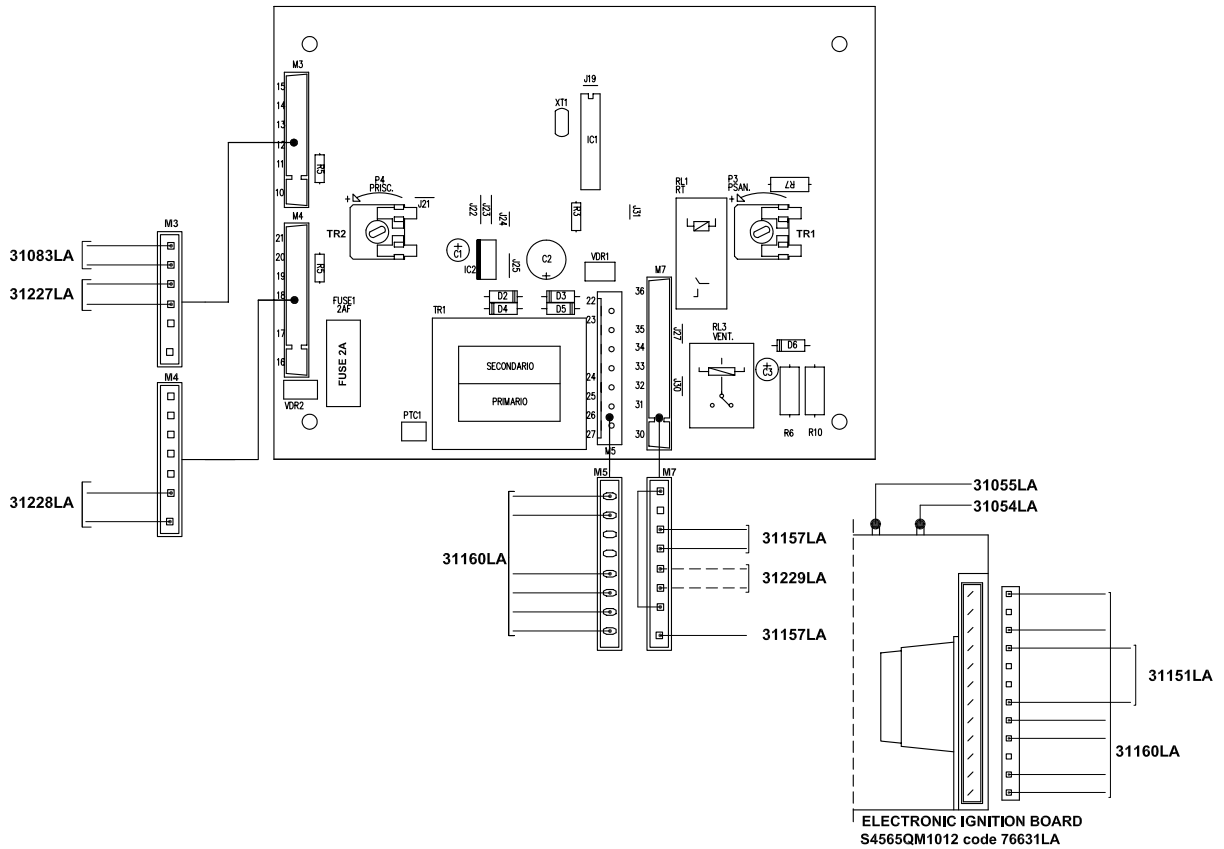
Pos.	Code	Description:		U.M.	Qt.
		Description:	Date: 09.01.2003	A055A512A101	methane
		Gas water heater- spare parts	Scale: —	A055B512A101	L.P.G.
		THERMAL SYSTEM	Department: tecnico		
		Object / model:	Designed by:		heavy oil
		mod. SF 14 E	Controlled by:		
		<i>room sealed - electronic ignition</i>	Approved by:	Sheet no.:	B0217_AB1
<small>ALL DESCRIPTIONS AND ILLUSTRATIONS CONTAINED IN THIS LEAFLET HAVE BEEN CAREFULLY PREPARED BUT WE RESERVE THE RIGHT TO MAKE CHANGES AND IMPROVEMENTS IN OUR PRODUCTS WHICH MAY AFFECT THE ACCURACY OF THE INFORMATION CONTAINED IN THIS LEAFLET, E + 0E ALL RIGHTS RESERVED. NO PART OF THIS DOCUMENT MAY BE REPRODUCED, SAVED IN STORAGE SYSTEMS OR TRANSMITTED IN ANY FORM OR BY ANY MEANS, WHETHER ELECTRONIC, MECHANICAL, PHOTOCOPIING, RECORDING OR OTHERS, WITHOUT THE MANUFACTURER'S PRIOR AUTHORISATION IN WRITING.</small>					



Rev. Description

Date

PRINTED CIRC. BOARD RADI SM20013
code 76660LA



Pos.	Code	Description:		U.M.	Qt.
		Description:	Date: 06.03.2003	A055A512A101	methane
		Gas water heater- spare parts	Scale: —	A055B512A101	L.P.G.
		ELECTRIC SYSTEM	Department: tecnico		
		Object / model:	Designed by:		heavy oil
		mod. SF 14 E	Controlled by:		
		<i>room sealed - electronic ignition</i>	Approved by:	Sheet no.:	B0218_AB1
<small>ALL DESCRIPTIONS AND ILLUSTRATIONS CONTAINED IN THIS LEAFLET HAVE BEEN CAREFULLY PREPARED BUT WE RESERVE THE RIGHT TO MAKE CHANGES AND IMPROVEMENTS IN OUR PRODUCTS WHICH MAY AFFECT THE ACCURACY OF THE INFORMATION CONTAINED IN THIS LEAFLET, E + OE ALL RIGHTS RESERVED. NO PART OF THIS DOCUMENT MAY BE REPRODUCED, SAVED IN STORAGE SYSTEMS OR TRANSMITTED IN ANY FORM OR BY ANY MEANS, WHETHER ELECTRONIC, MECHANICAL, PHOTOCOPIING, RECORDING OR OTHERS, WITHOUT THE MANUFACTURER'S PRIOR AUTHORISATION IN WRITING.</small>					



RADIANT BRUCIATORI S.p.A.