

PAINTING AND FINISHING PHASES

phase 4

SECTION
AFTER FIRST
PAINTING STAGE
MADE BY
ANAPHORESIS



phase 5

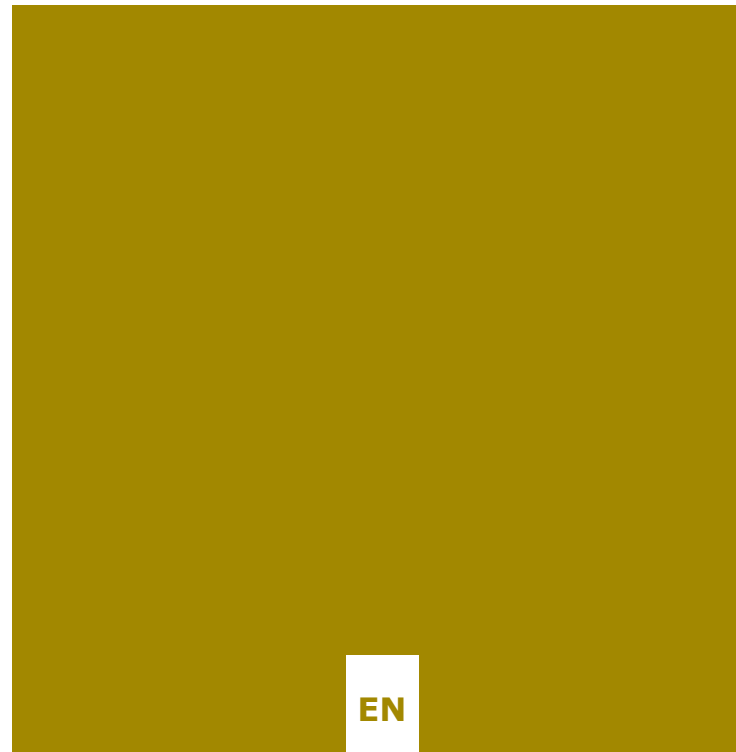
SECTION
AFTER SECOND
PAINTING STAGE



fondital



Die cast aluminium radiators for high pressure heating systems



EN

phase 3

WASHING AND
CHEMICAL
TREATMENT
OF THE SURFACES

phase 1

UNMACHINED
SECTION

phase 2

MACHINED
SECTION



FONDITAL S.p.A.
25079 VOBARNO (Brescia) Italy - Via Cerreto, 40
Tel. +39 0365 878.31 - Fax +39 0365 878.576
e mail: info@fondital.it - www.fondital.com

COMPANY WITH
QUALITY SYSTEM
CERTIFIED BY DNV
= ISO 9001 =

EVOLUTION: SOLAR SUPER RANGE

Super is the new die-cast aluminium radiator by FONDITAL that features the following technological innovations:

- ▶ ornamental patent
- ▶ innovative geometry of the 6 rows of side fins that was developed specially to result in a high heat output with a smaller surface area and hence less weight
- ▶ presence of rear openings allowing enhanced heat exchange by convection
- ▶ a new cap for the element

BRAND NEW CREATION

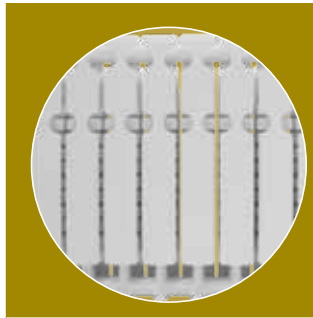
- ▶ *Super is **more powerful** than the models in the S4 range*
- ▶ *Super is **lighter** than the models in the S4 range, and hence easier to transport and install*
- ▶ *Super has an **optimal weight-to-heat output ratio***
- ▶ *Super features **numerous exclusive technological innovations by Fondital***
- ▶ *Super has an **innovative cap***
- ▶ *Super is a **top-of-the-range radiator!***



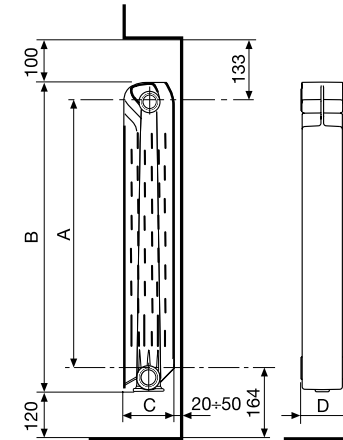
Model	Depth (C) mm	Height (B) mm	Centre distance (A) mm	Length (D) mm	Connection diameters inches	Water capacity litres/sect.	Heat output ΔT 30K W/sect.	Heat output ΔT 50K W/sect.	Exponent n	Coefficient K_m
350/100	97	407	350	80	G1	0.24	48.1	94.0	1.3109	0.5571
500/100	97	557	500	80	G1	0.31	63.4	124.7	1.3242	0.7017
600/100	97	657	600	80	G1	0.36	73.1	143.8	1.3241	0.8094
700/100	97	757	700	80	G1	0.39	81.0	160.5	1.3378	0.8562
800/100	97	857	800	80	G1	0.43	89.4	177.4	1.3404	0.9368

Maximum working pressure: 1600 kPa (16 bar)

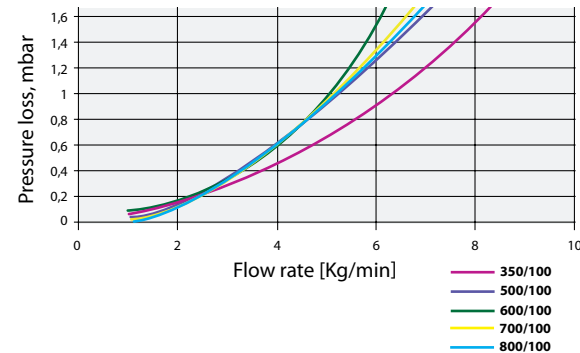
Characteristic equation of the model $\Phi = K_m \Delta T^n$ (reference EN 442-1). The thermal efficiency values, expressed at ΔT 50K, comply with EN 442-2 and are certified by the MRT Lab of the Milan Polytechnic, notified body no. 1695.



Openings on the rear side



Pressure loss Solar Super



Innovative cap

- ▶ The new cap is not welded and hydraulic seal is provided by an **O-ring seal**.
- ▶ The new cap is made of **aluminized steel**.
- ▶ **No welds, so no problems with burrs** at the bottom of the radiator.
- ▶ **All the caps** for the models in the **Solar Super** range undergo **Aleternum® anticorrosion treatment**.



Fondital guarantees **Solar Super** for **10 years** from the date of installation against all production defects providing the heating system is conform to the regulations, in compliance with the standards in force and provided the instructions on installation, use and correct maintenance supplied with the product have been observed.